



CONTEG DATA SHEET

version: 01-06-2011

FREE STANDING RACKS

RM7 SERIES 19" FREE STANDING RACKS

CONTEG, spol. s r.o.

Headquarters Czech Republic:
Na Vítězné pláni 1719/4
140 00 Prague 4

Tel.: +420 261 219 182
Fax: +420 261 219 192
conteg@conteg.com
www.conteg.com

Local Offices:

Austria:	+43 699 1819 7071
Benelux:	+32 477 957 126
Eastern Europe:	+49 172 848 4346
France:	+33 686 074 386
Germany:	+49 170 523 4958
Russia:	+7 495 967 3840
Slovakia:	+421 917 874 111



The mSEVEN racks have been designed for users whose space constraints of access path do not allow the installation of rack series iSEVEN (R17) with welded construction. The mSEVEN racks are delivered unassembled for easy transportation to the installation site where they can be assembled quickly and easily. This type of rack is the ideal choice for installers and end-users who want to spend less time on choosing between various options and configuring difficult product part numbers. After thorough research, we have prepared for you the most requested dimensions together with one universal design.

SEVEN



RM7- 42-60/100

COLOR SAMPLER:

RAL 9005

RAL 7035

DESCRIPTION:

Sizes

- Height: 21, 27, 42, 45U
- Width: 600 and 800mm
- Depth: 600, 800 and 1000mm

Construction

- Robust frame construction, joined by 32 M6x12 screws
- Delivered unassembled; assembly at installation site
- Easy and quick assembly
- 1.5 & 2.0mm sheet steel

Load rating

- 21 & 27U: 300kg
- 42 & 45U: 400kg

IP rating

- Standard IP30

Colors

- Standard RAL 7035 and 9005

Front door

- Security glass door with swivel handle lock
- Optional sheet steel door
- Easy re-hanging to open on right or left
- Door opening angle 180°

Rear panel

- Removable with knock-out cable entry and lock
- Rear sheet steel door

Side panels

- Removable with locks

Knock-out openings – cable entry

- Universal size 300x100mm
- Available in top plate, bottom plate and rear panel
- Can be covered by blank panels (ordered separately)

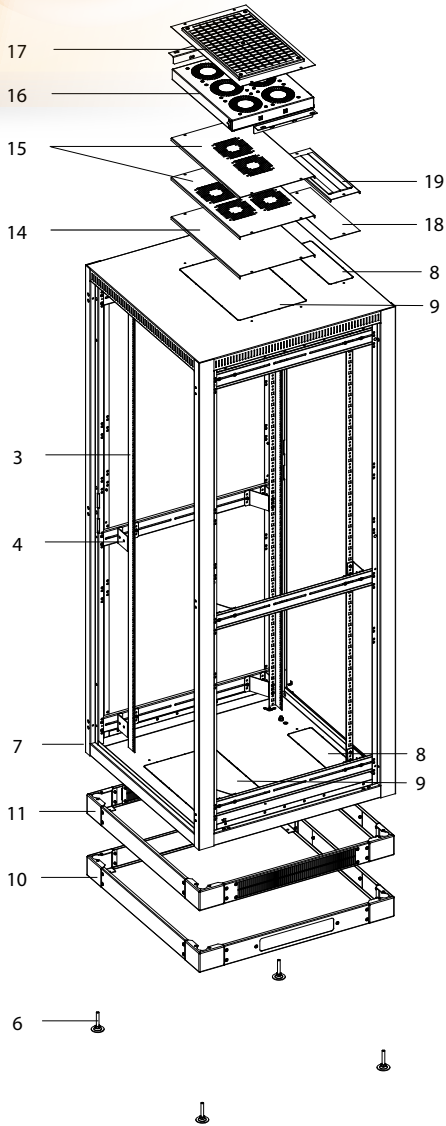
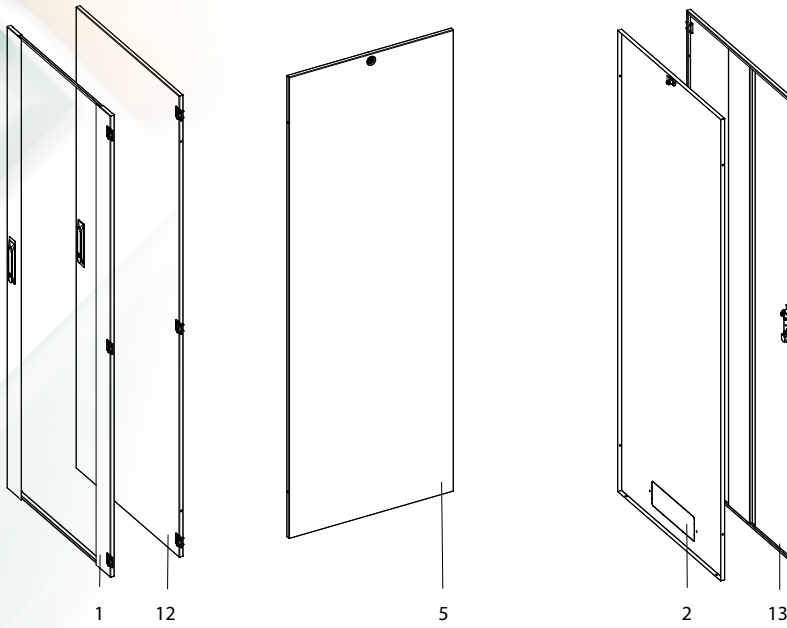
Knock-out openings – ventilation unit installation

- Standard size 480x280mm (1000mm deep – 480x440mm)
- Available in top and bottom plate
- Can be covered by blank panels (ordered separately)

Adjustable Feet



RM7 series 19" free standing racks



STANDARD EQUIPMENT

- 1 Front glass door with swivel handle lock
- 2 Rear sheet steel panel with knock-out opening for cable entry and lock
- 3 4 pcs of 19" vertical extrusions
- 4 Holders of vertical extrusions
- 5 1 pair of side sheet steel panels with lock
- 6 Adjustable feet
- 7 Frame of rack
- 8 Top and bottom knock-out openings for cable entry
- 9 Top and bottom knock-out openings for ventilation unit
- GND/earthing kit
- 28 mounting kits

SOME OPTIONAL EQUIPMENT/ ACCESSORIES

- 10 Plinth
- 11 Plinth with filter
- 12 Sheet steel door
- 13 Vertically divided sheet steel door *
- 14 Blank panels for openings for ventilation unit
- 15 Perforated gland plate
- 16 Ventilation unit
- 17 Connecting kit with filter for ventilation unit
- 18 Blank panel for cable entry openings
- 19 Dust proof panel with brush for cable entry openings

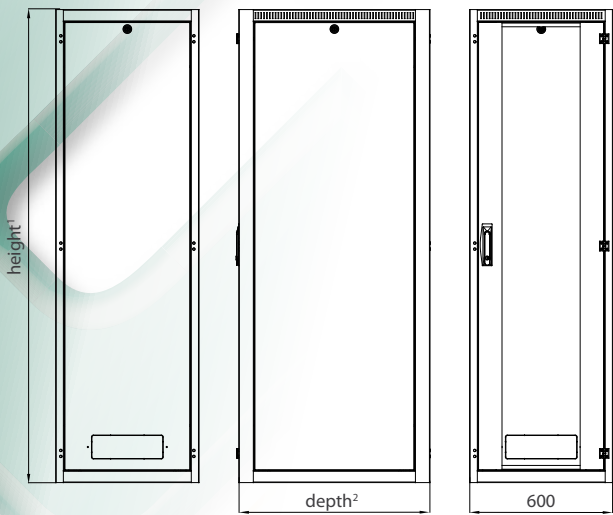
*not available for 600mm wide racks, requires multipoint lock



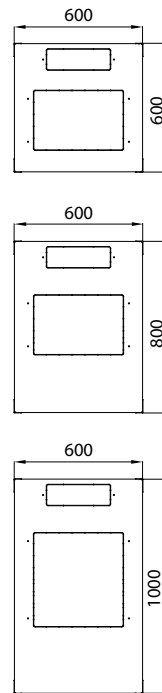
Rear view

Side view

Front view



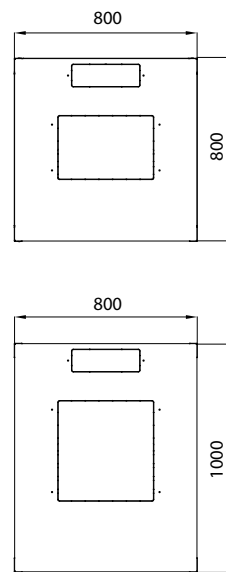
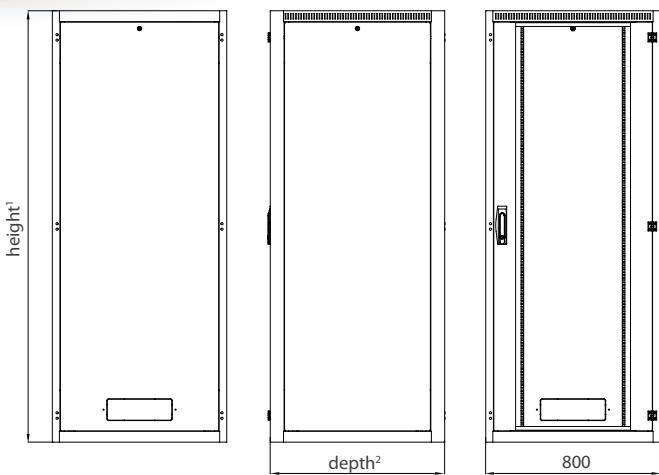
Top view



Rear view

Side view

Front view

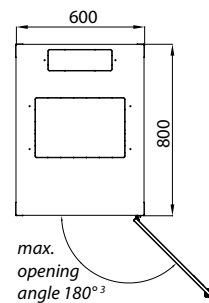


- ¹ available heights:
 - for width 600 – 21U/1044, 27U/1311, 42U/1978, 45U/2111
 - for width 800 – 27U/1311, 42U/1978, 45U/2111
- ² available depths: for width 600 – 600, 800, 1000
for width 800 – 800, 1000
- ³ when rear doors applied (rear panel as standard) the max. angle is also 180°

Ventilation unit openings
420x280mm (depth 1000mm – 420x440mm)

Cable entries
300x100mm

Example – opened door



Note: All dimensions in mm



ORDERING AND SHIPPING INFORMATION: Configure the rack in order to meet your requirements. You can choose standard or modified configuration of mSEVEN rack. The below shown ordering matrix will help you to create the part number. As soon as you have the part number, please contact your distributor of CONTEG products. Please note, that all **mSEVEN RACKS ARE DELIVERED UNASSEMBLED** in 3 – 5 carton boxes!

QUICK STANDARD CONFIGURATION OF RM7 RACKS!

You should choose this quick way if you are able to cope with standard configuration of mSEVEN rack. More information regarding standard configuration can be found in appropriate table. To order it, you only need to tell us the code, e.g. RM7-21-60/60. The rack will be delivered unassembled in 3 – 5 boxes (the total number of boxes for each configuration you can find on next page). This way of order saves your time. Please note that product codes (standard/short code) will differ from the code on invoice/delivery note, where the codes of separate packages of your chosen rack will appear (each package has its own code). If your accountancy requires to have the exact product code in the order as well as in all following documents like invoice/delivery note, please order directly the separate packages (do not use short product code). Codes of packages can be found in the transition table in the bottom part of this page.

Standard configuration:

- Top and bottom covers
- 4 columns
- 2 pairs of 19" sliding vertical extrusions
- 2 or 3 pairs of vertical extrusions' holders
- Front door with swivel handle lock and safety glass (EN 12150-1)
- Removable rear panel with knock-out cable entry and lock
- 1 pair of sheet steel side panels with locks
- 4 adjustable feet
- GND/earthing kit
- 28 mounting kits

Code - Standard configuration ¹	H in U	Dimensions of the rack in mm				Package dimensions (mm)				
		H *	W	D	Useful depth	Package 1 RM7-CO-xx/yy ²	Package 2 RM7-TB-yy/zz ²	Package 3 RM7-DO-xx/yy ²	Package 4 RM7-SP-xx/zz ²	Package 5 RM7-HVE-yy/zz ²
RM7-21-60/60-X	21	1044	600	600	590	105x140x1165	630x620x135	550x70x955	520x990x85	-
RM7-27-60/60-X	27	1311	600	600	590	105x140x1430	630x620x135	550x70x1255	520x1255x85	-
RM7-42-60/60-X	42	1978	600	600	590	105x140x2100	630x620x135	550x70x1890	520x1920x85	185x75x100
RM7-45-60/60-X	45	2111	600	600	590	105x140x2230	630x620x135	550x70x2020	520x2055x85	185x75x100
RM7-21-60/80-X	21	1044	600	800	790	105x140x1165	630x820x135	550x70x955	720x990x85	-
RM7-27-60/80-X	27	1311	600	800	790	105x140x1430	630x820x135	550x70x1255	720x1255x85	-
RM7-42-60/80-X	42	1978	600	800	590	105x140x2100	630x820x135	550x70x1890	720x1920x85	185x75x100
RM7-45-60/80-X	45	2111	600	800	790	105x140x2230	630x820x135	550x70x2020	720x2055x85	185x75x100
RM7-27-60/100-X	27	1311	600	1000	990	105x140x1430	630x1020x135	550x70x1255	920x1255x85	-
RM7-42-60/100-X	42	1978	600	1000	990	105x140x2100	630x1020x135	550x70x1890	920x1920x85	185x75x100
RM7-27-80/80-X	27	1311	800	800	790	105x140x1430	1005x820x135	750x70x1255	720x1255x85	-
RM7-42-80/80-X	42	1978	800	800	790	105x140x2100	1005x820x135	750x70x1890	720x1920x85	185x75x100
RM7-45-80/80-X	45	2111	800	800	790	105x140x2230	1005x820x135	750x70x2020	720x2055x85	185x75x100
RM7-27-80/100-X	27	1311	800	1000	990	105x140x1430	1005x1020x135	750x70x1255	720x1255x85	-
RM7-42-80/100-X	42	1978	800	1000	990	105x140x2100	1005x1020x135	750x70x1890	920x1920x85	185x75x100
RM7-45-80/100-X	45	2111	800	1000	990	105x140x2230	1005x1020x135	750x70x2020	920x2055x85	185x75x100

* Height in mm without feet; for feet add 16-45mm

¹ Substitute X with desired color: B – 7035 (light grey), H – 9005 (black)

² xx – Rack height; yy – Rack width; zz – Rack depth

Transition table					
Code - Standard configuration ¹	Codes of packages ¹				
RM7-21-60/60-X	RM7-CO-21/60-X	RM7-TB-60/60-X	RM7-DO-21/60-X	RM7-SP-21/60-X	
RM7-27-60/60-X	RM7-CO-27/60-X	RM7-TB-60/60-X	RM7-DO-27/60-X	RM7-SP-27/60-X	
RM7-42-60/60-X	RM7-CO-42/60-X	RM7-TB-60/60-X	RM7-DO-42/60-X	RM7-SP-42/60-X	RM7-HVE-60/60
RM7-45-60/60-X	RM7-CO-45/60-X	RM7-TB-60/60-X	RM7-DO-45/60-X	RM7-SP-45/60-X	RM7-HVE-60/60
RM7-21-60/80-X	RM7-CO-21/60-X	RM7-TB-60/80-X	RM7-DO-21/60-X	RM7-SP-21/80-X	
RM7-27-60/80-X	RM7-CO-27/60-X	RM7-TB-60/80-X	RM7-DO-27/60-X	RM7-SP-27/80-X	
RM7-42-60/80-X	RM7-CO-42/60-X	RM7-TB-60/80-X	RM7-DO-42/60-X	RM7-SP-42/80-X	RM7-HVE-60/80
RM7-45-60/80-X	RM7-CO-45/60-X	RM7-TB-60/80-X	RM7-DO-45/60-X	RM7-SP-45/80-X	RM7-HVE-60/80
RM7-27-60/100-X	RM7-CO-27/60-X	RM7-TB-60/100-X	RM7-DO-27/60-X	RM7-SP-27/100-X	
RM7-42-60/100-X	RM7-CO-42/60-X	RM7-TB-60/100-X	RM7-DO-42/60-X	RM7-SP-42/100-X	RM7-HVE-60/100
RM7-27-80/80-X	RM7-CO-27/80-X	RM7-TB-80/80-X	RM7-DO-27/80-X	RM7-SP-27/80-X	
RM7-42-80/80-X	RM7-CO-42/80-X	RM7-TB-80/80-X	RM7-DO-42/80-X	RM7-SP-42/80-X	RM7-HVE-80/80
RM7-45-80/80-X	RM7-CO-45/80-X	RM7-TB-80/80-X	RM7-DO-45/80-X	RM7-SP-45/80-X	RM7-HVE-80/80
RM7-27-80/100-X	RM7-CO-27/80-X	RM7-TB-80/100-X	RM7-DO-27/80-X	RM7-SP-27/100-X	
RM7-42-80/100-X	RM7-CO-42/80-X	RM7-TB-80/100-X	RM7-DO-42/80-X	RM7-SP-42/100-X	RM7-HVE-80/100
RM7-45-80/100-X	RM7-CO-45/80-X	RM7-TB-80/100-X	RM7-DO-45/80-X	RM7-SP-45/100-X	RM7-HVE-80/100

¹ Substitute X with desired color: B – 7035 (light grey), H – 9005 (black)

RM7 series 19" free standing racks



SPECIAL CONFIGURATIONS OF THE RACK mSEVEN!

The rack mSEVEN is also available with several types of customized cover. In this case the ordering procedure differs. The rack should be always ordered by parts (individual boxes) so the order indicates 3 – 5 individual ordering codes. To simplify this, we prepared here below a comprehensive guide. If these do not fit your requirements we recommend you to choose the fully configurable 19" unassembled rack RMF series.

mSEVEN – ITEM OVERVIEW OF INDIVIDUAL BOXES	
Package Code ¹	Package includes
RM7-CO-xx/yy	4x column and 4x 19" vertical extrusion
RM7-TB-yy/zz	Top and bottom cover plate, 4x bracket for vertical extrusions
RM7-DO-xx/yy	Front door and rear panel (for customized versions the package content may differ)
RM7-SP-xx/zz	2x side panels
RM7-HVE-yy/zz ²	2x bracket for vertical extrusions

¹ xx – Rack height; yy – Rack width; zz – Rack depth

² Only for racks with height 42 and 45U which need 6 brackets for vertical extrusions

6 STEPS TO ORDER THE SPECIAL CONFIGURATION OF mSEVEN RACK

STEP NO.	Description																																																					
1	Choose one size of available standard sizes of mSEVEN rack																																																					
2	Choose one of available customized (non-standard) covers (see column Cover) <table border="1" data-bbox="295 918 1449 1377"> <thead> <tr> <th rowspan="2">Cover (modifications in comparison with standard configuration are written in bold script)</th> <th colspan="5">Package codes of non-standard version of mSEVEN rack</th> </tr> <tr> <th>Package 1</th> <th>Package 2</th> <th>Package 3</th> <th>Package 4</th> <th>Package 5</th> </tr> </thead> <tbody> <tr> <td>Front glass door, rear sheet steel door, 2 side panels</td> <td>RM7-CO-xx/yy-X</td> <td>RM7-TB-yy/zz-X</td> <td>RM7-DO-xx/yy-GASA-X</td> <td>RM7-SP-xx/zz-X</td> <td>RM7-HVE-yy/zz ¹</td> </tr> <tr> <td>Front sheet steel door, rear sheet steel panel, 2 side panels</td> <td>RM7-CO-xx/yy-X</td> <td>RM7-TB-yy/zz-X</td> <td>RM7-DO-xx/yy-SAYU-X</td> <td>RM7-SP-xx/zz-X</td> <td>RM7-HVE-yy/zz ¹</td> </tr> <tr> <td>Front sheet steel door, rear sheet steel door, 2 side panels</td> <td>RM7-CO-xx/yy-X</td> <td>RM7-TB-yy/zz-X</td> <td>RM7-DO-xx/yy-SASA-X</td> <td>RM7-SP-xx/zz-X</td> <td>RM7-HVE-yy/zz ¹</td> </tr> <tr> <td>Front glass door, rear sheet steel panel, without side panels</td> <td>RM7-CO-xx/yy-X</td> <td>RM7-TB-yy/zz-X</td> <td>RM7-DO-xx/yy-X</td> <td>-</td> <td>RM7-HVE-yy/zz ¹</td> </tr> <tr> <td>Front glass door, rear sheet steel door, without side panels</td> <td>RM7-CO-xx/yy-X</td> <td>RM7-TB-yy/zz-X</td> <td>RM7-DO-xx/yy-GASA-X</td> <td>-</td> <td>RM7-HVE-yy/zz ¹</td> </tr> <tr> <td>Front sheet steel door, rear sheet steel panel, without side panels</td> <td>RM7-CO-xx/yy-X</td> <td>RM7-TB-yy/zz-X</td> <td>RM7-DO-xx/yy-SAYU-X</td> <td>-</td> <td>RM7-HVE-yy/zz ¹</td> </tr> <tr> <td>Front sheet steel door, rear sheet steel door, without side panels</td> <td>RM7-CO-xx/yy-X</td> <td>RM7-TB-yy/zz-X</td> <td>RM7-DO-xx/yy-SASA-X</td> <td>-</td> <td>RM7-HVE-yy/zz ¹</td> </tr> </tbody> </table> <p>¹ Package 5 (RM7-HVE-yy/zz) makes a part of delivery only for mSEVEN racks with heights 42 and 45U. Do not indicate them for racks 21 and 27U.</p>	Cover (modifications in comparison with standard configuration are written in bold script)	Package codes of non-standard version of mSEVEN rack					Package 1	Package 2	Package 3	Package 4	Package 5	Front glass door, rear sheet steel door, 2 side panels	RM7-CO-xx/yy- X	RM7-TB-yy/zz- X	RM7-DO-xx/yy-GASA- X	RM7-SP-xx/zz- X	RM7-HVE-yy/zz ¹	Front sheet steel door, rear sheet steel panel, 2 side panels	RM7-CO-xx/yy- X	RM7-TB-yy/zz- X	RM7-DO-xx/yy-SAYU- X	RM7-SP-xx/zz- X	RM7-HVE-yy/zz ¹	Front sheet steel door, rear sheet steel door, 2 side panels	RM7-CO-xx/yy- X	RM7-TB-yy/zz- X	RM7-DO-xx/yy-SASA- X	RM7-SP-xx/zz- X	RM7-HVE-yy/zz ¹	Front glass door, rear sheet steel panel, without side panels	RM7-CO-xx/yy- X	RM7-TB-yy/zz- X	RM7-DO-xx/yy- X	-	RM7-HVE-yy/zz ¹	Front glass door, rear sheet steel door, without side panels	RM7-CO-xx/yy- X	RM7-TB-yy/zz- X	RM7-DO-xx/yy-GASA- X	-	RM7-HVE-yy/zz ¹	Front sheet steel door, rear sheet steel panel, without side panels	RM7-CO-xx/yy- X	RM7-TB-yy/zz- X	RM7-DO-xx/yy-SAYU- X	-	RM7-HVE-yy/zz ¹	Front sheet steel door, rear sheet steel door, without side panels	RM7-CO-xx/yy- X	RM7-TB-yy/zz- X	RM7-DO-xx/yy-SASA- X	-	RM7-HVE-yy/zz ¹
Cover (modifications in comparison with standard configuration are written in bold script)	Package codes of non-standard version of mSEVEN rack																																																					
	Package 1	Package 2	Package 3	Package 4	Package 5																																																	
Front glass door, rear sheet steel door, 2 side panels	RM7-CO-xx/yy- X	RM7-TB-yy/zz- X	RM7-DO-xx/yy-GASA- X	RM7-SP-xx/zz- X	RM7-HVE-yy/zz ¹																																																	
Front sheet steel door, rear sheet steel panel, 2 side panels	RM7-CO-xx/yy- X	RM7-TB-yy/zz- X	RM7-DO-xx/yy-SAYU- X	RM7-SP-xx/zz- X	RM7-HVE-yy/zz ¹																																																	
Front sheet steel door, rear sheet steel door, 2 side panels	RM7-CO-xx/yy- X	RM7-TB-yy/zz- X	RM7-DO-xx/yy-SASA- X	RM7-SP-xx/zz- X	RM7-HVE-yy/zz ¹																																																	
Front glass door, rear sheet steel panel, without side panels	RM7-CO-xx/yy- X	RM7-TB-yy/zz- X	RM7-DO-xx/yy- X	-	RM7-HVE-yy/zz ¹																																																	
Front glass door, rear sheet steel door, without side panels	RM7-CO-xx/yy- X	RM7-TB-yy/zz- X	RM7-DO-xx/yy-GASA- X	-	RM7-HVE-yy/zz ¹																																																	
Front sheet steel door, rear sheet steel panel, without side panels	RM7-CO-xx/yy- X	RM7-TB-yy/zz- X	RM7-DO-xx/yy-SAYU- X	-	RM7-HVE-yy/zz ¹																																																	
Front sheet steel door, rear sheet steel door, without side panels	RM7-CO-xx/yy- X	RM7-TB-yy/zz- X	RM7-DO-xx/yy-SASA- X	-	RM7-HVE-yy/zz ¹																																																	
3	Complete the ordering codes from columns Package 1 – 5: Instead of xx write the rack height chosen in step 1 (RM7- xx -yy/zz)																																																					
4	Complete the ordering codes from columns Package 1 – 5: Instead of yy write the rack width chosen in step 1 (RM7-xx- yy /zz)																																																					
5	Complete the ordering codes from columns Package 1 – 5: Instead of zz write the rack depth chosen in step 1 (RM7-xx-yy/ zz)																																																					
6	Complete the ordering codes in columns Package 1 – 4: Instead of the last letter X write B for grey color (RAL 7035) or H for black color (19" extrusions and their brackets have zinc-coated surface)																																																					