

CONTEG DATASHEET

TARGETED COOLING

CoolSpot AC-TM-CW

Air-Condition Unit

CONTEG, spol. s r.o.
Czech Republic Headquarters:

Na Vítězné pláni 1719/4
140 00 Prague 4

Tel.: +420 261 219 182
Fax: +420 261 219 192

Production plant in the Czech Republic:

K Silu 2179
393 01 Pelhřimov

Tel.: +420 565 300 300
Fax: +420 565 533 955

Local Branches/Offices

Austria:	+420 724 723 184
Benelux:	+32 477 957 126
Eastern Europe / Nordics:	+49 172 8484 346
France, Maghreb:	+33 686 074 386
Germany / Switzerland / Baltics / Denmark / Italy:	+49 170 523 4958
Middle East:	+971 555 08 32 41
Russia, CIS:	+7 495 967 3840

conteg@conteg.com
www.conteg.com

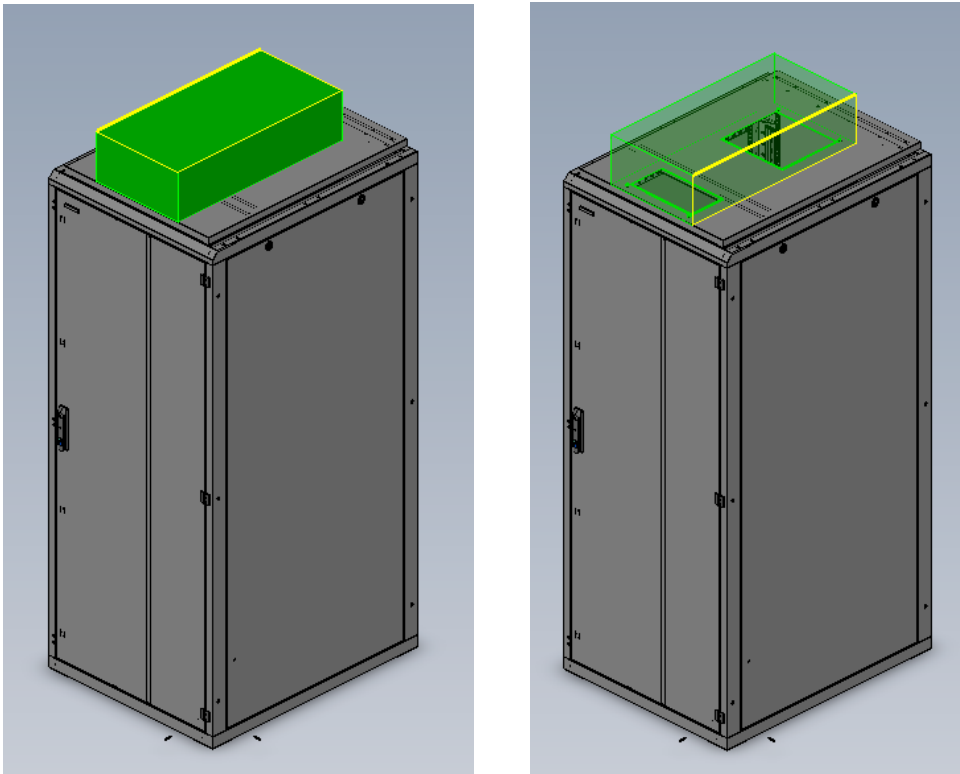
CoolSpot AC-TM-CW

Air-Condition Unit

CoolSpot units are designed to maintain temperature inside Conteg racks while maintaining low energy consumption. The AC-TM-CW series can be connected to the building's chilled water piping system.

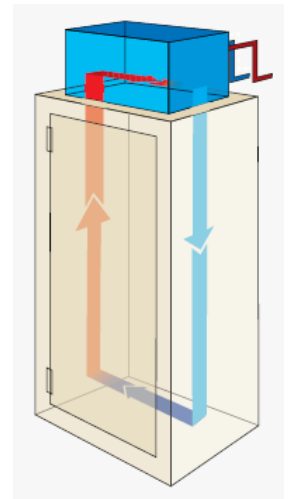


CoolSpot AC-TM-CW units have exceptional cooling capacities and do not take up extra floor area needed for the rack. The CoolSpot AC-TM-CW solution is available in cooling capacities, ranging from 2200 W to 6700 W (cooling capacity depends on water and air temperature and water flow). Since it is mounted on the roof of the rack, some overhead clearance will be necessary. CoolSpot TM-CW cooling units are compatible with the RHF, RDF and RSF free-standing rack series.



The CoolSpot AC-TM-CW unit is a chilled water (CW) solution, which is ideally suited for racks with insufficient cooling capacities to avoid hot spots, if there is no space next to the cabinet (or the row of the racks). These Conteg CoolSpot AC-TM-CW units emit little noise or heat, making them a perfect fit for busy office environments. When installing these units into closed areas, make sure, there is sufficient space above the cabinets.

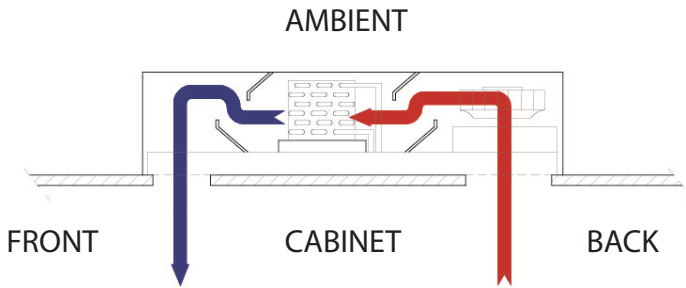
A big advantage of this top-mount model is that it can be used with the Conteg cabinet, fitted with the Separation frame and Blanking panels. This arrangement ensures the cold zone front of the IT components inside the rack. The air from the hot zone in the rear part of the cabinet is sucked into the CoolSpot cooler.



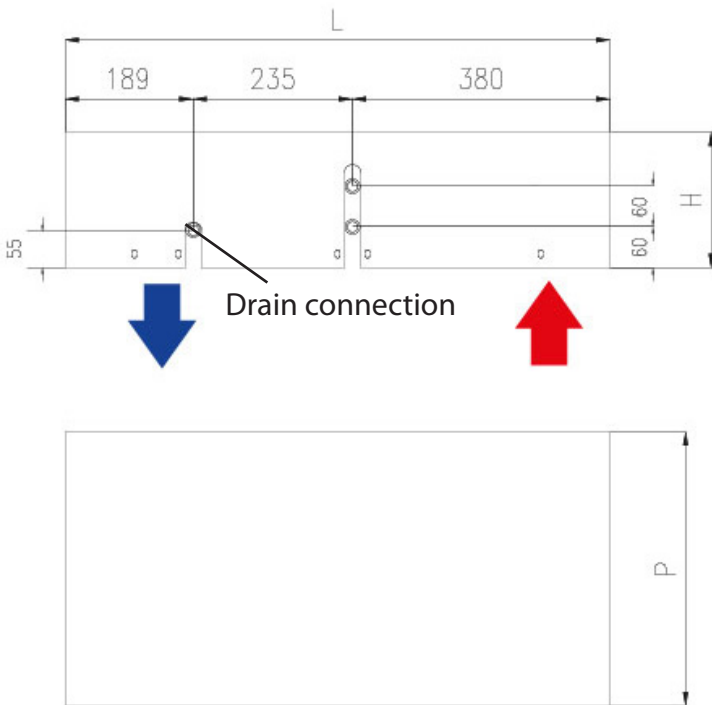
DESCRIPTION:

- Nominal cooling capacity: 2.2 kW and 6.7 kW.
- Real cooling capacity is continuously adjusted and controlled by a water valve.
- The heat exchanger surface was specifically designed to provide the highest possible resistance against clogging.
- The cooling system was designed to operate without filters – reducing maintenance costs.
- Designed for low noise installations – all moving parts (fans) are closed inside the cabinet.
- Heat is transferred to and removed by water – no heat is introduced into the room.
- The cooling unit is easy to use and has multiple settings to regulate the temperature inside the rack.
- This cooling unit can be easily installed in Conteg racks that have already been assembled (retrofit installation possible) – the roof panel will be replaced by air conditioning during installation.
- Highest efficiency can be achieved if the rack has an IP54 rating. Blanking panels will be installed to increase the unit's energy efficiency.
- Removal of condensation buildup: rack must be connected to the building's drainage system.
- CoolSpot units can be easily installed and integrated with a Conteg RAMOS system that remotely monitors the conditions inside the rack

Explanatory drawings:



Dimensions of Air-Condition Unit without Cabinet top panel:

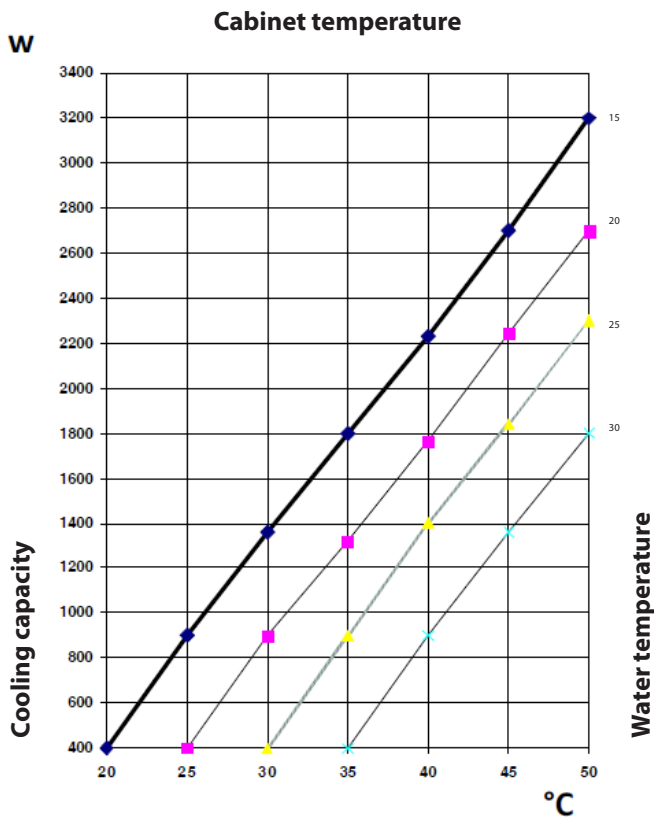


Basic Features of Air-Condition Units AC-TM-CWxx

Feature	M.U.	15	50
Cooling Capacity (L35W10)	W	2200	6700
Power Supply	V/Ph/Hz	230/1/50	
Absorbed Current	A	0,36	0,95
Pre-Fuse T	A	2	4
Height (H)	mm	200	255
Latitude (L)	mm	804	905
Depth (P)	mm	404	509
Air Flow	m ³ /h	575	1450
Absorbed Fan Power	W	80	215
Water Flow	ltr/h	150	860
Max. Water Pressure	kPa	1000	1000
Water Pressure Drop	kPa	30	40
Water Connection	" G	½	½
Cabinet Temperature Limits	°C	+10/+50	+10/+50
Protection Degree	IP	55	55
Noise Level	dB(A)	58	58
Weight without side panel and water	kg	21	39

Cooling capacity charts:

AC-TM-CW15



AC-TM-CW50

