

# FSE

inTEG Free-Standing Enclosures

**NÁVOD K OBSLUZE A ÚDRŽBĚ**

**➤ CZ**

**MONTAGE- UND BETRIEBSANLEITUNG**

**➤ DE**

**ASSEMBLY AND OPERATING MANUAL**

**➤ EN**

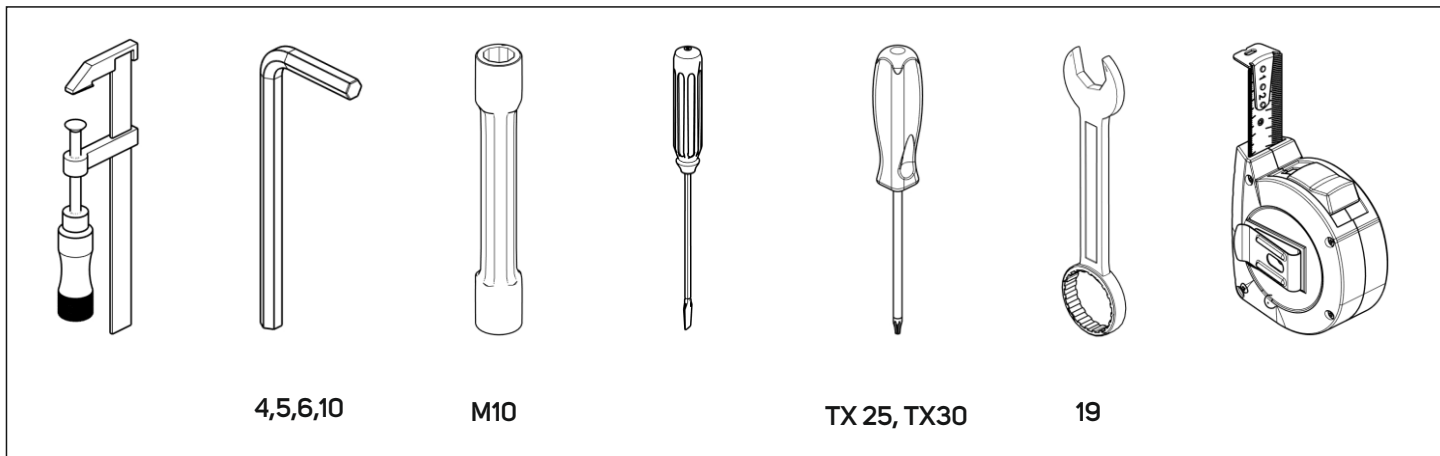
**MANUEL D'ASSEMBLAGE ET D'UTILISATION**

**➤ FR**

**ИНСТРУКЦИЯ ПО СБОРКЕ И ЭКСПЛУАТАЦИИ**

**➤ RU**

**CONTEG**



4,5,6,10

M10

TX 25, TX30

19

**Náhradní díly**  
**Ersatzteile**  
**Spare parts**  
**Pièces de rechange**  
**Запасные части**

**Item 1 (20x)**  
 M6x16 ISO 7380  
 4.5 N/m

**Item 2 (20x)**  
 M6

**Item 3 (2x)**  
 4x10x2000

**Item 4 (28x)**  
 M5x10 Fastite  
 14 N/m

**Item 5 (20x)**  
 M6x12 Fastite  
 16 N/m

**Item 6**  
 M6x12 ISO 7991  
 4.5 N/m

**Item 7**  
 M6  
 4.5 N/m

**Item 8**  
 M8

**Item 9**  
 M6x10 Fastite  
 16 N/m

**Item 10**  
 Plug BS 5,4-10

**Item 11**  
 M6

**Item 12**  
 M6x12 ISO 7991  
 10 N/m

**Item 13**  
 M5 DIN 125

**Item 14**  
 M5 EPDM

**Item 15**  
 M5 DIN 985

**Item 16**  
 M6  
 4 N/m

**Item 17**  
 M6x12 ISO 7380  
 4.5 N/m

**Item 18**  
 Hinge door

**Item 19**  
 Catcher

**Item 20**  
 Catcher

**Item 21**  
 M6x16 ISO 7380  
 4.5 N/m

**Item 22**  
 M6x16 ISO 7991  
 4.5 N/m

**Item 23**  
 M8x16 ISO 7991  
 25 N/m

**Item 24**  
 M8x20 ISO 7991  
 25 N/m

**Item 25**  
 M12 DIN 580  
 50 N/m

**Item 26**  
 M12 AN 9055/A2

**Item 27**  
 M8-36  
 25 N/m

**Item 28**  
 M6

**Item 29**  
 M6x12 ISO 7991  
 4.5 N/m

**Item 30**  
 M12x20 DIN 912  
 20 N/m

**Item 31**

**Item 32**

**Item 33**  
 M12 DIN 934  
 20 N/m

**Item 34**  
 Plug 9x13x6

**Item 35**  
 Plug 21,5x15x17,5

**Item 46**  
 M5x12 DIN 7985 TORX  
 14 N/m

**Item 47**  
 M5x12 ISO 7991  
 4.5 N/m

Příbal  
Schachteinsatz  
Box insert  
Boîte insert  
Часть пакета



Item 36 (1x)



Item 37 (1x)



Item 38 (7x)  
M8 DIN 934  
25 N/m



Item 39 (1x)  
M8x25 DIN 933  
25 N/m



Item 40 (12x)



Item 41 (5x)  
M5x9 Fastite  
14 N/m



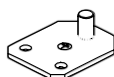
Item 42 (7x)  
M8 DIN 7980



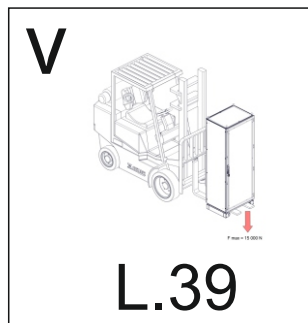
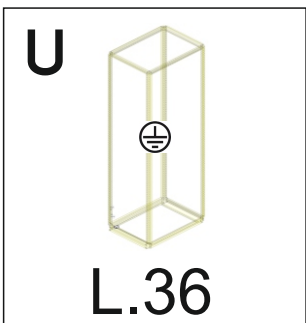
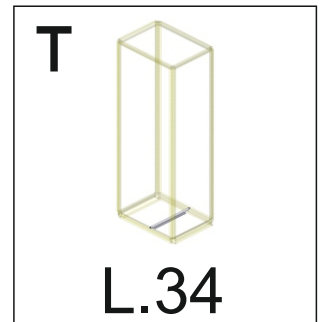
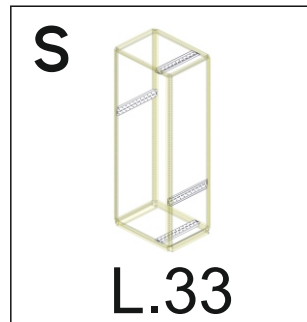
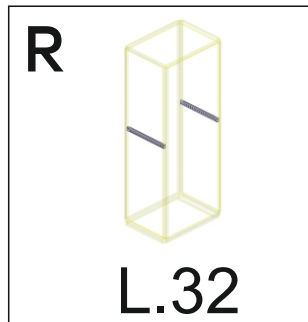
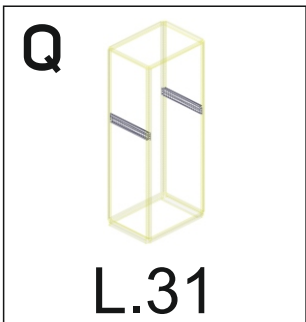
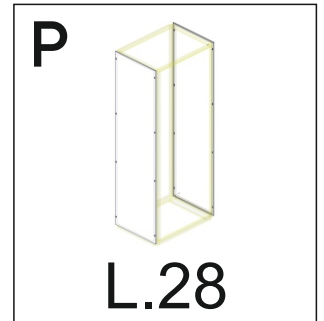
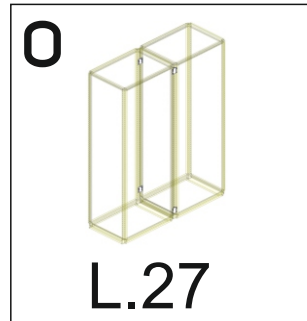
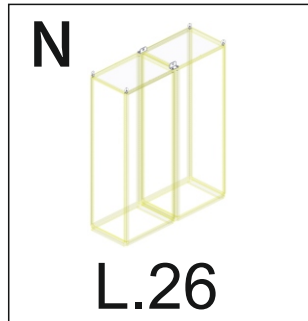
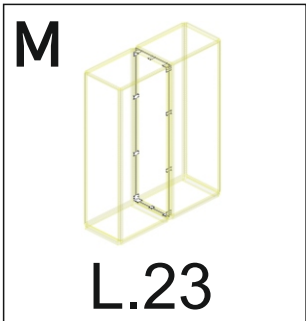
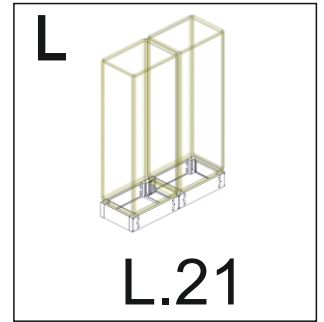
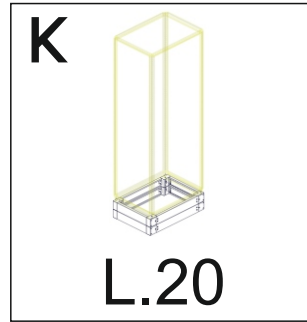
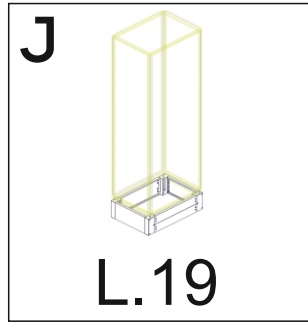
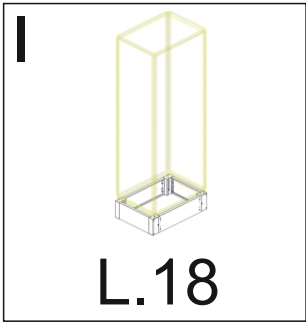
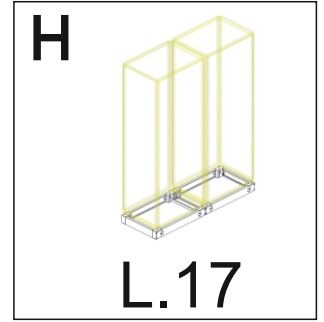
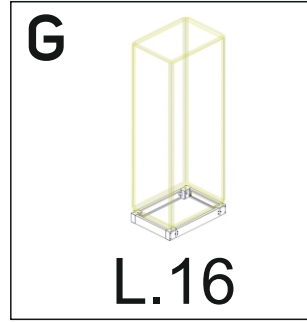
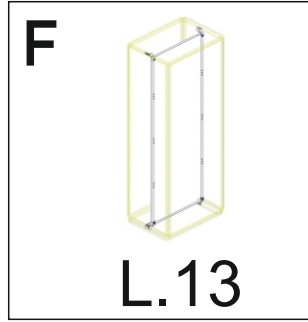
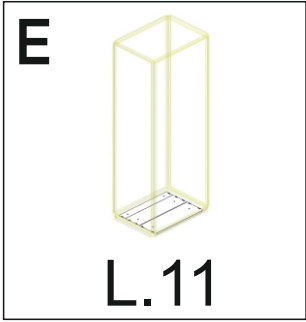
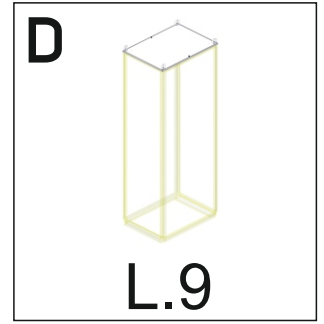
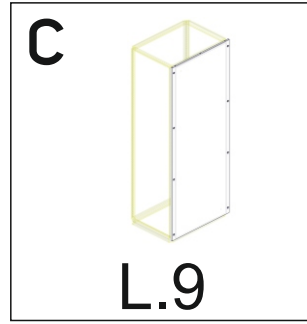
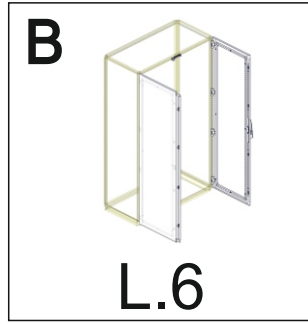
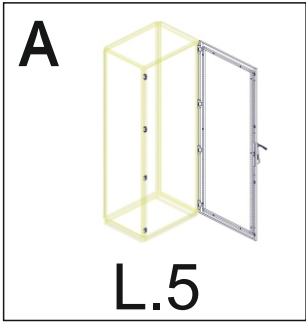
Item 43 (7x)  
M8



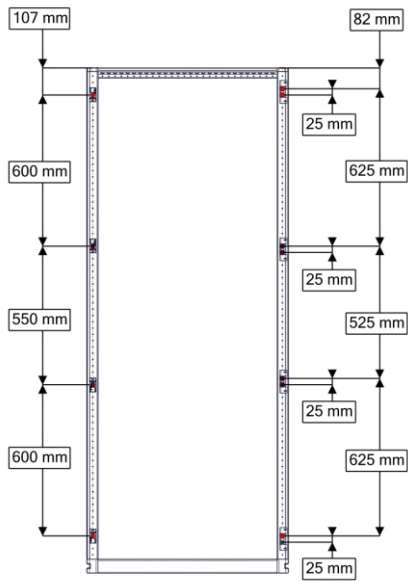
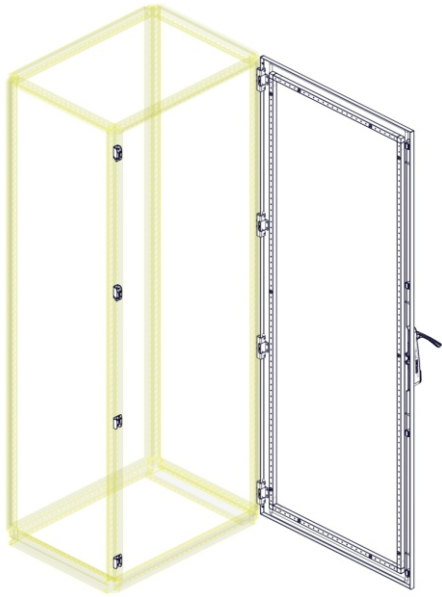
Item 44 (5x)  
M5 DIN 7980



Item 45 (1x)



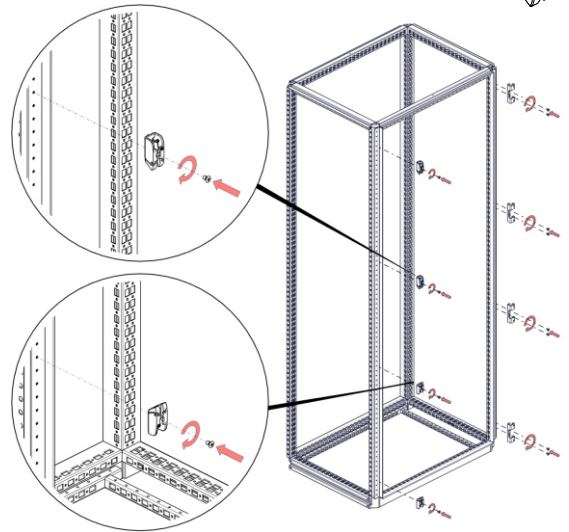
# A



Item 5 (4x)



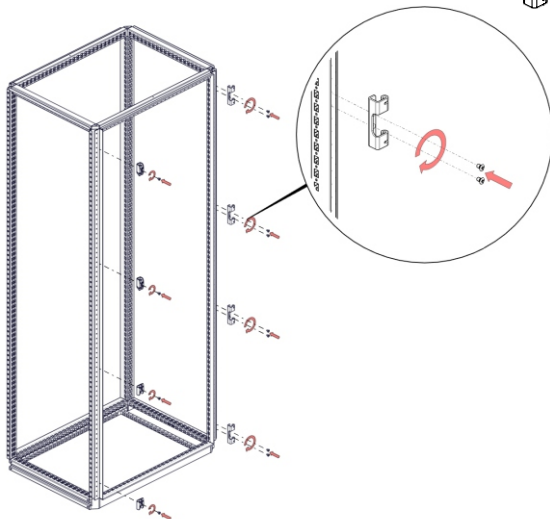
Item 19 (4x)



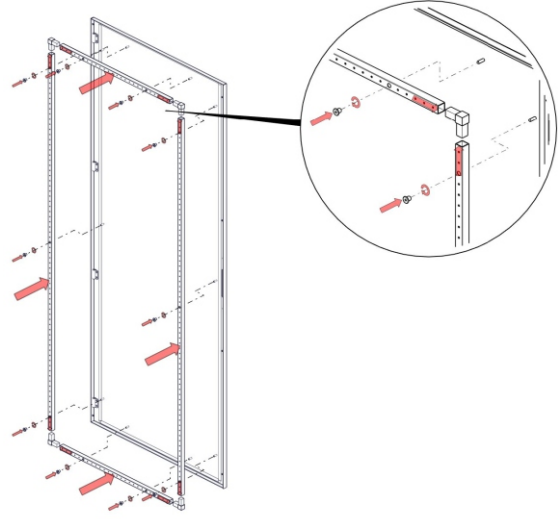
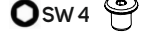
Item 5 (8x)



Item 18 (4x)

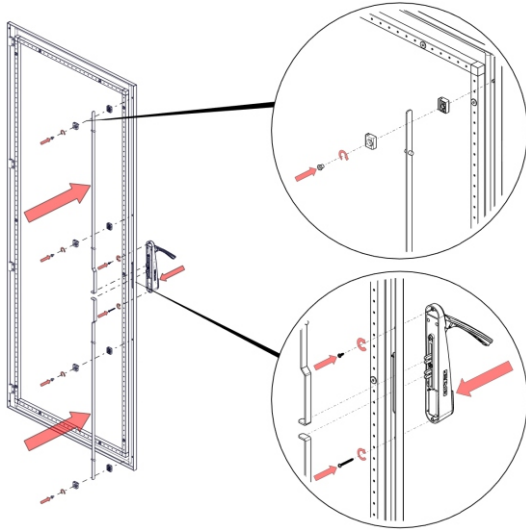


Item 7 (10x)

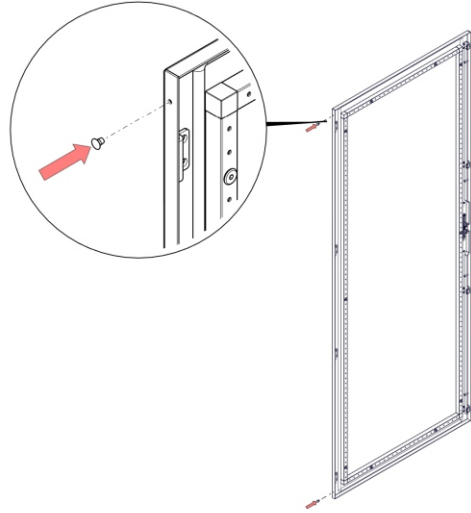


Item 16 (4x)

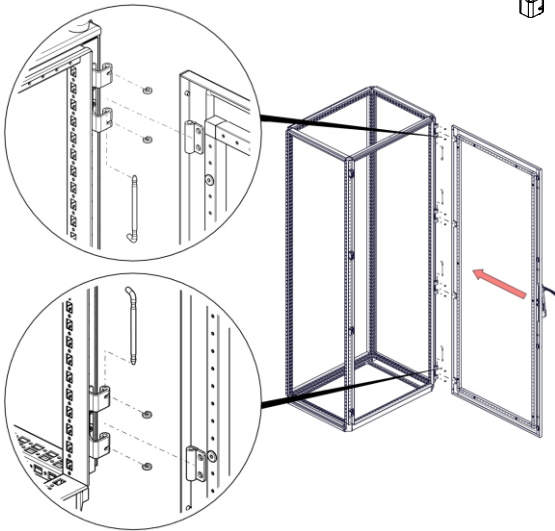
M6 



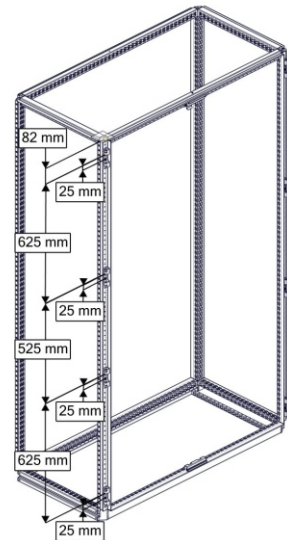
Item 10 (2x)

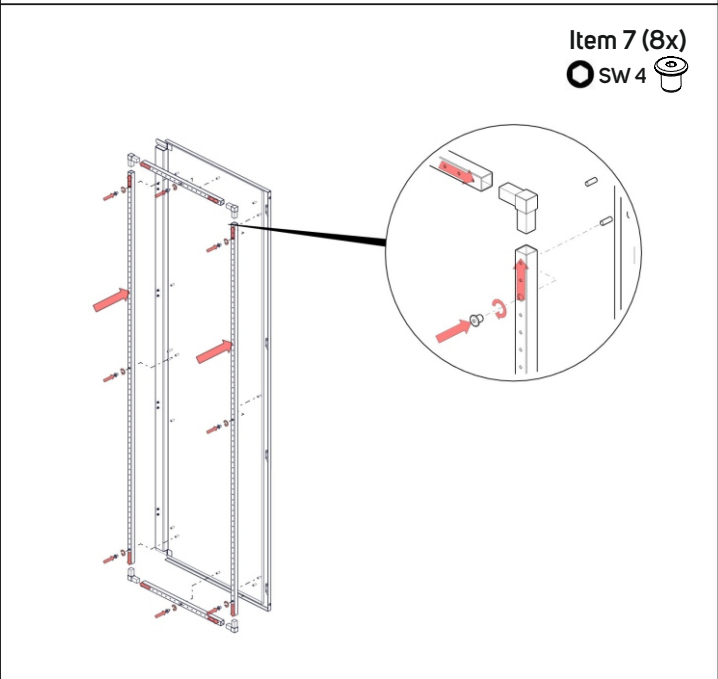
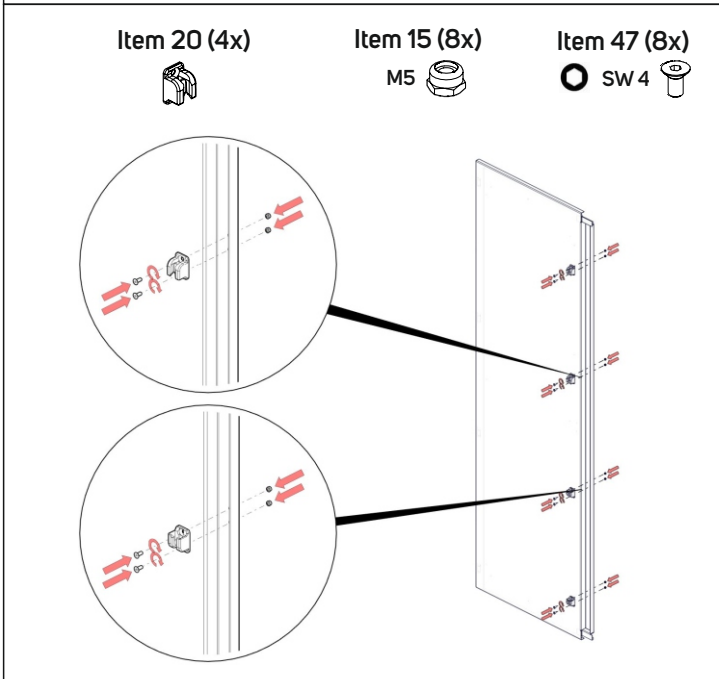
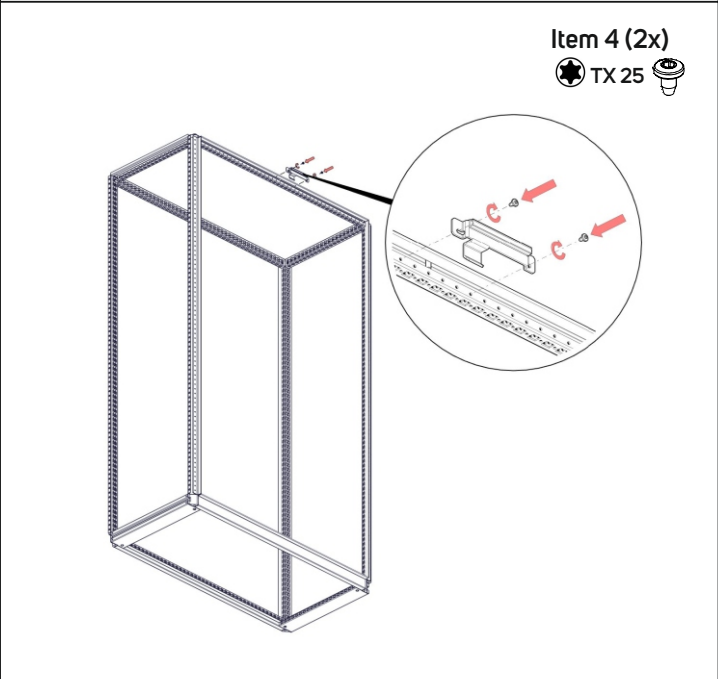
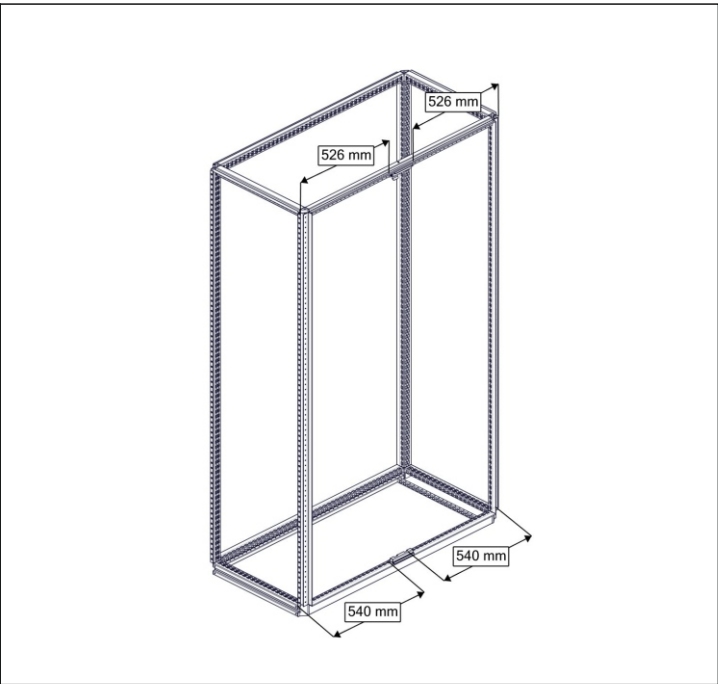
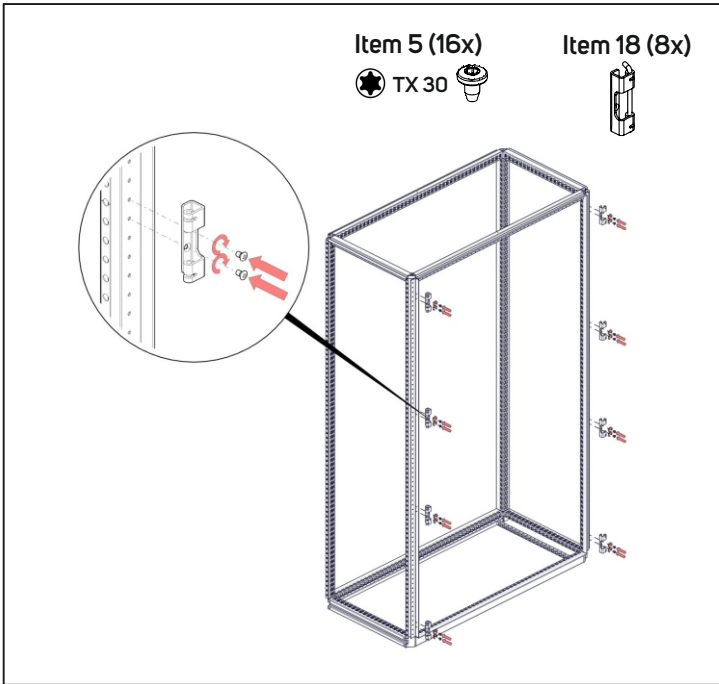


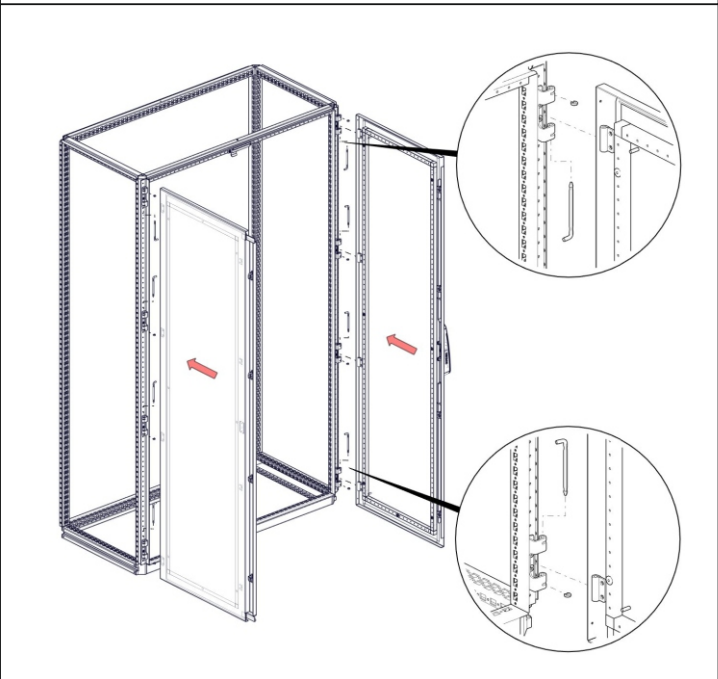
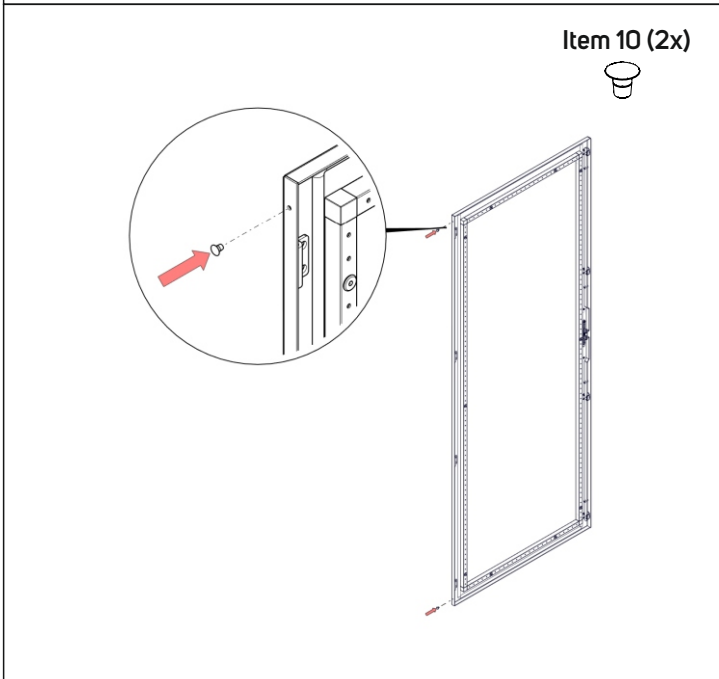
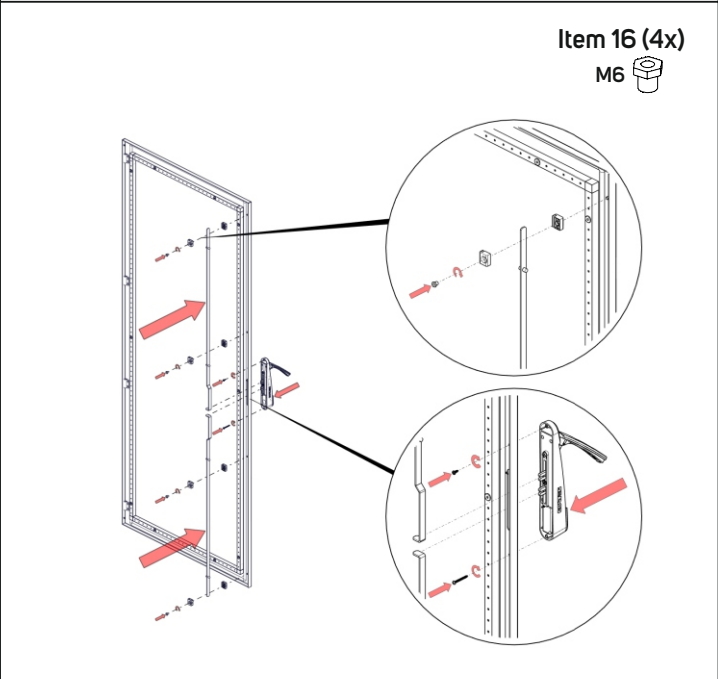
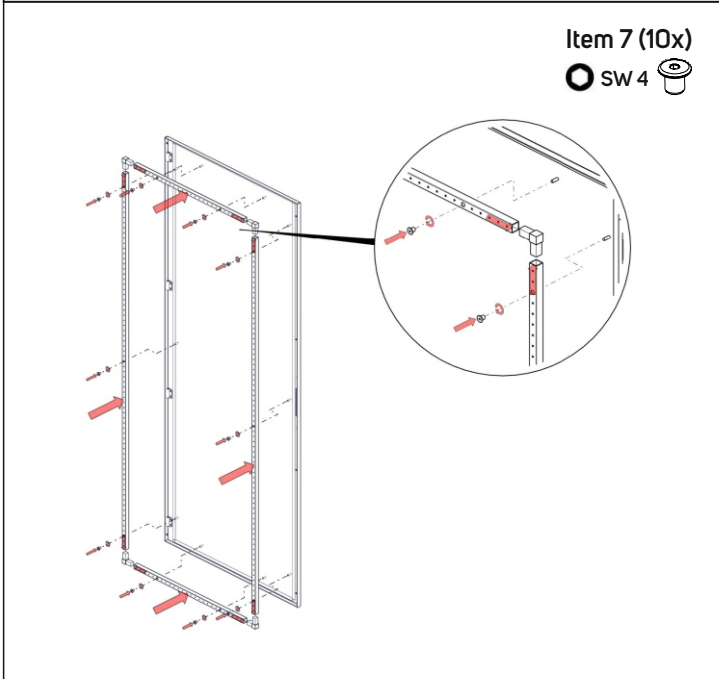
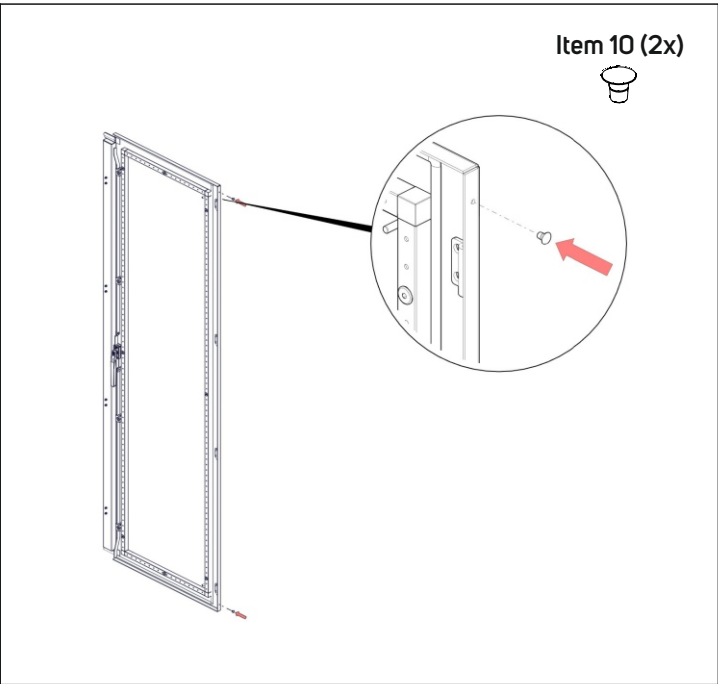
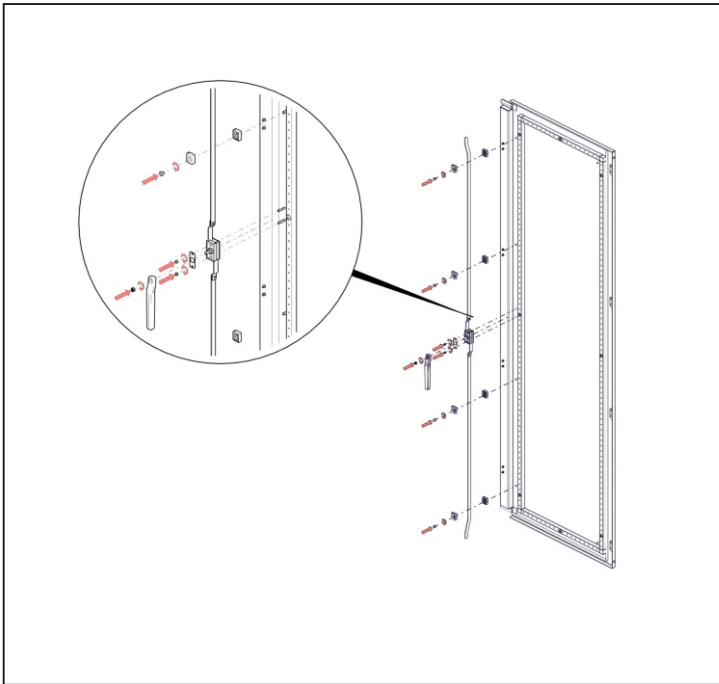
Item 18 (4x)



**B**

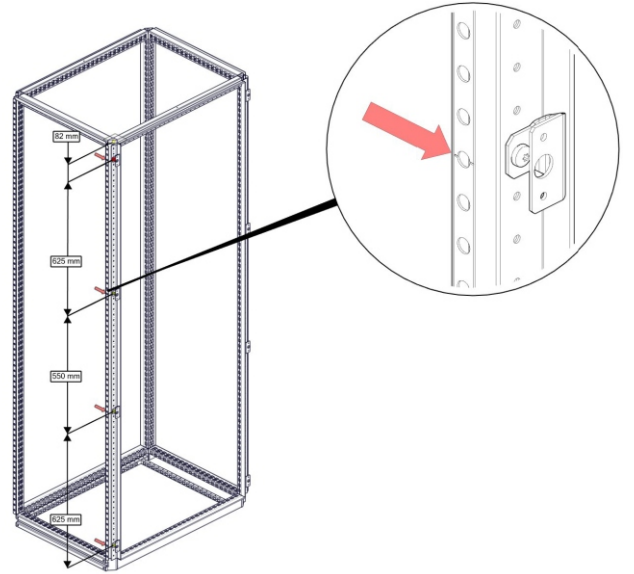
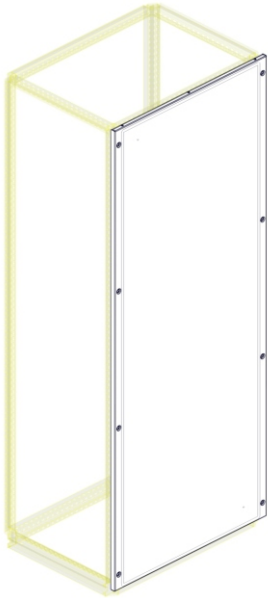




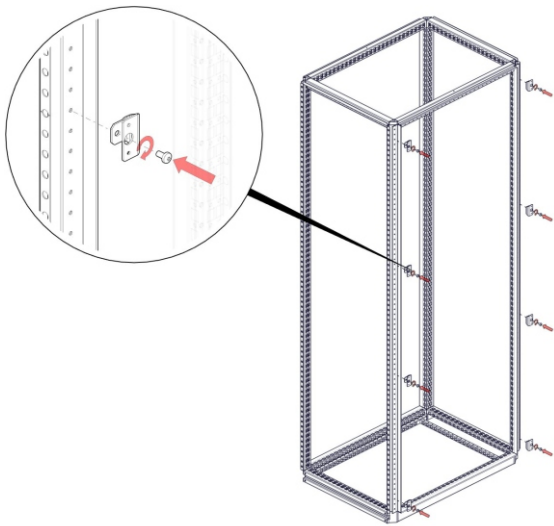
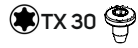




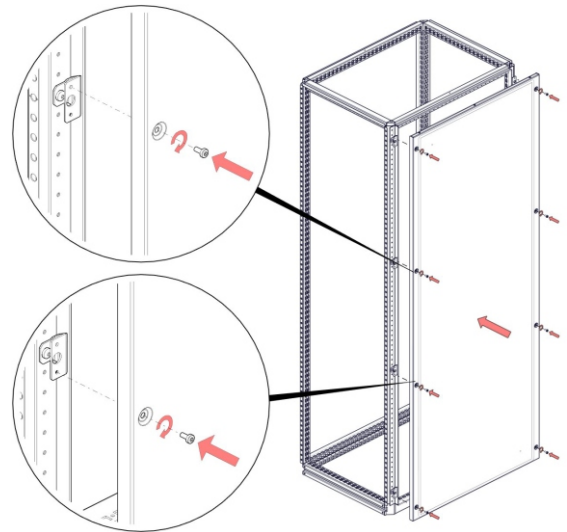
# C



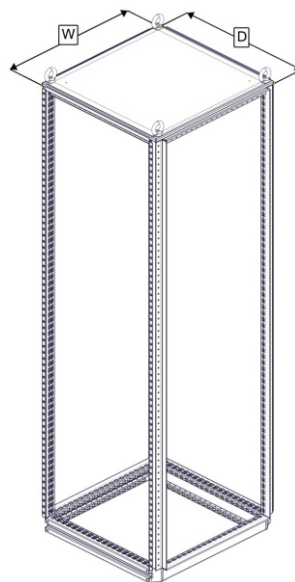
Item 5 (8x)



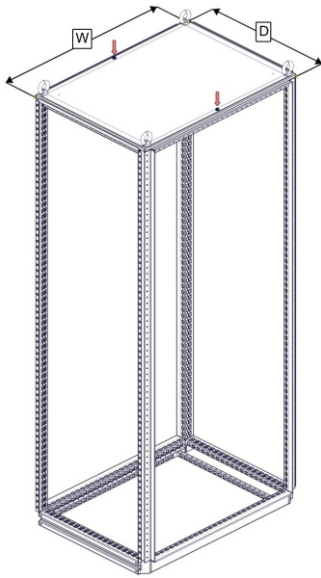
Item 44 (8x)



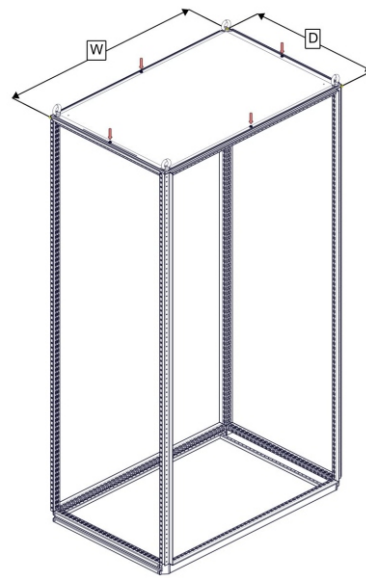
# D



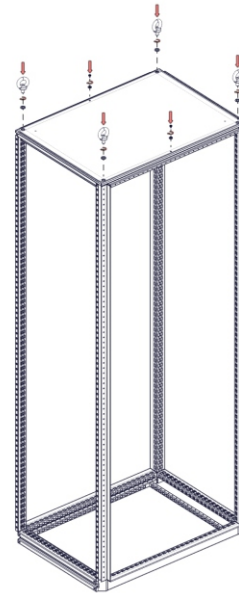
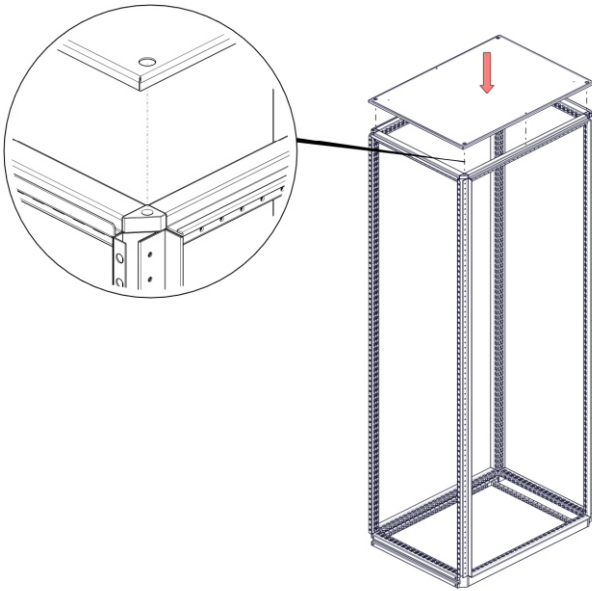
W x D
400 x 500
400 x 600
600 x 400
600 x 500
600 x 600



W x D
800 x 400
800 x 500
800 x 600
1000 x 400
1000 x 500
1000 x 600
1200 x 400
1200 x 500
1200 x 600



W x D
800 x 800
1000 x 800
1200 x 800



Item 25 (4x)



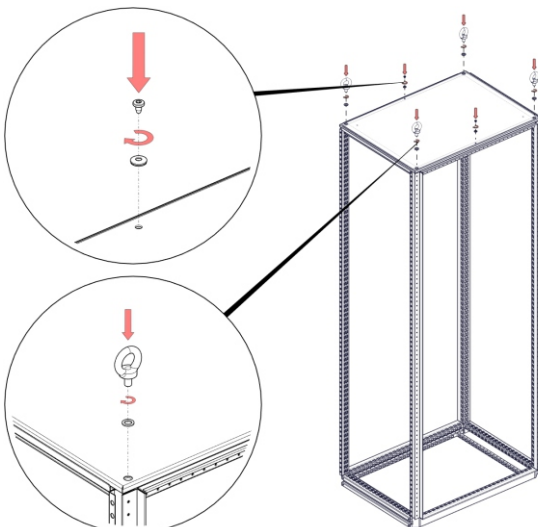
Item 26 (2x)



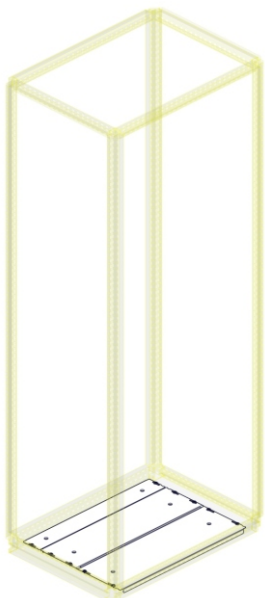
Item 14 (2x)



Item 4 (2x)



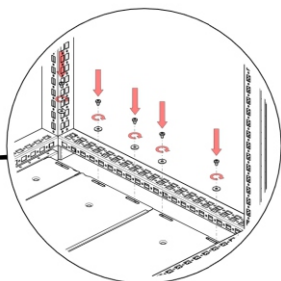
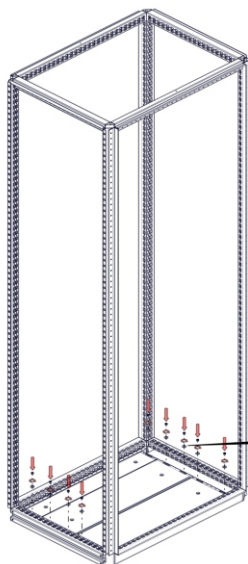
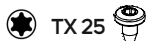
# E



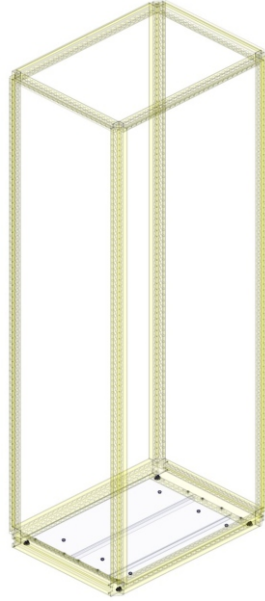
Item 13 (10x)



Item 4 (10x)

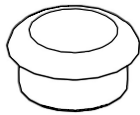


# ID-F-KIT55



## ID-F-KIT55

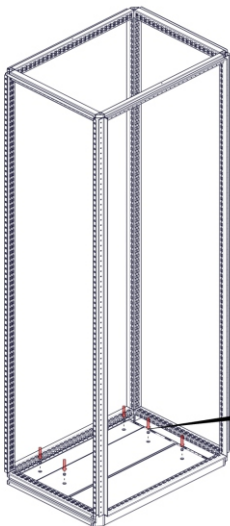
16x



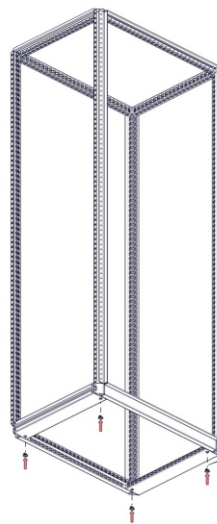
4x



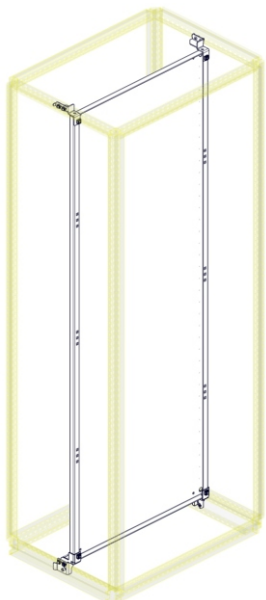
Item 34 (6x)



Item 35 (4x)



# F

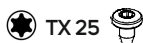


A=B

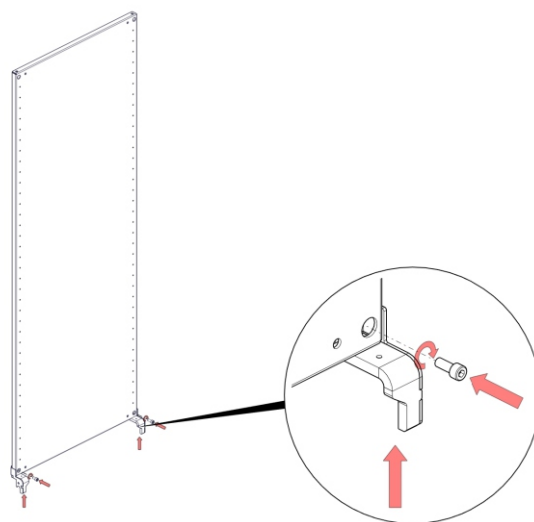
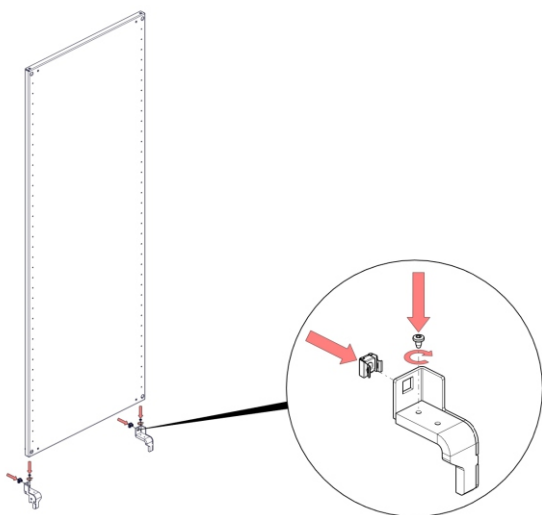
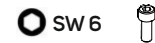
Item 8 (2x)



Item 4 (2x)



Item 24 (2x)



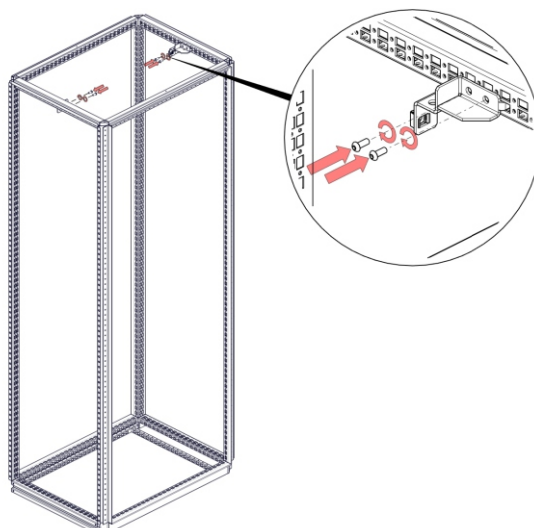
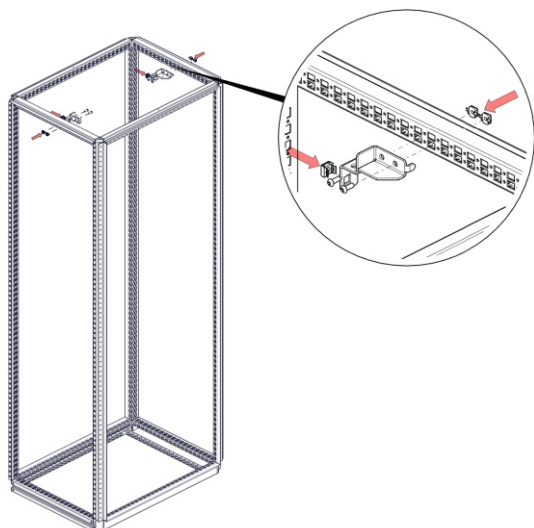
Item 28 (4x)



Item 8 (2x)



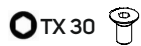
Item 21 (4x)



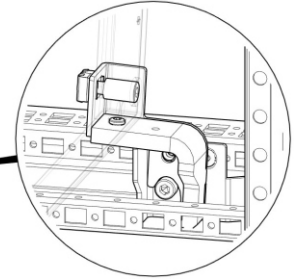
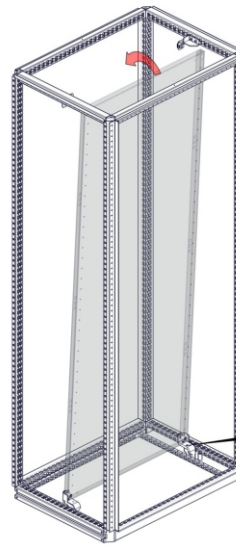
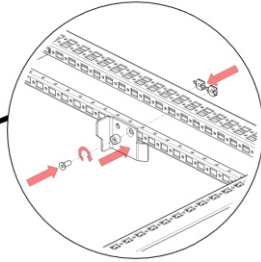
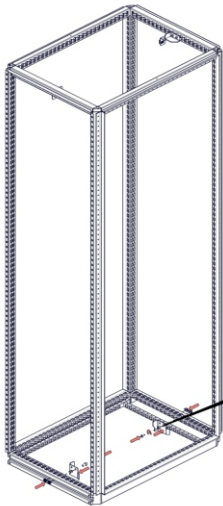
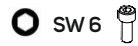
Item 28 (4x)



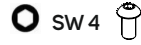
Item 22 (2x)



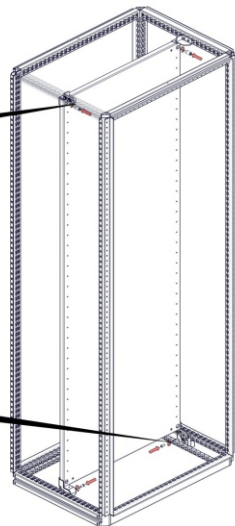
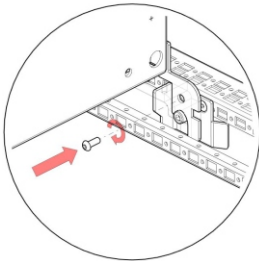
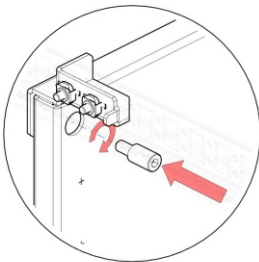
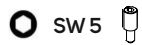
Item 23 (2x)



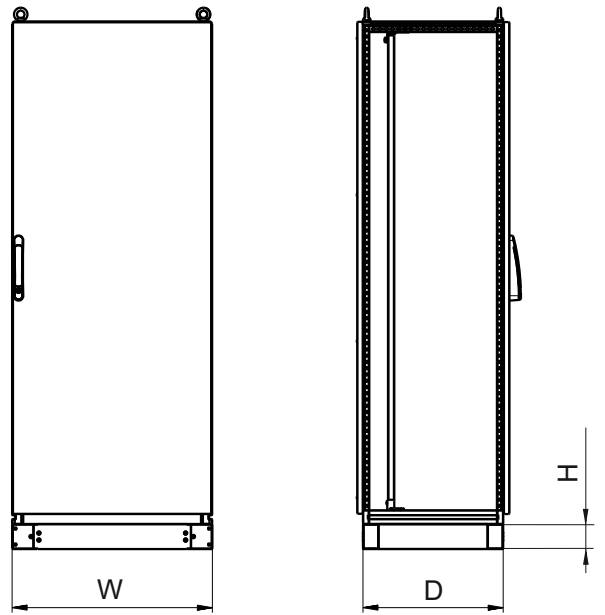
Item 21 (2x)



Item 27 (2x)

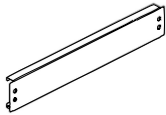


	W	D	H
ID-F-PF04	400	-	100
ID-F-PF0402	400	-	200
ID-F-SPF04	400	-	100
ID-F-PF06	600	-	100
ID-F-PF0602	600	-	200
ID-F-SPF06	600	-	100
ID-F-PF08	800	-	100
ID-F-PF0802	800	-	200
ID-F-SPF08	800	-	100
ID-F-PF10	1000	-	100
ID-F-PF1002	1000	-	200
ID-F-SPF10	1000	-	100
ID-F-PF12	1200	-	100
ID-F-PF1202	1200	-	200
ID-F-SPF12	1200	-	100
ID-F-PS04	-	400	100
ID-F-PS0402	-	400	200
ID-F-SPS04	-	400	100
ID-F-PS05	-	500	100
ID-F-PS0502	-	500	200
ID-F-SPS05	-	500	100
ID-F-PS06	-	600	100
ID-F-PS0602	-	600	200
ID-F-SPS06	-	600	100
ID-F-PS08	-	800	100
ID-F-PS0802	-	800	200
ID-F-SPS08	-	800	100



### ID-F-PFxx

2x



8x



### ID-F-PSxx

12x M6x12 DIN 7991,BlZn



8x M6



8x M6x12 ISO 7380,Zn



4x M12 DIN 934,Zn



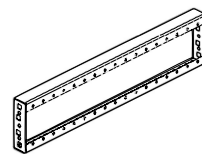
4x M12x20 DIN 912,Zn



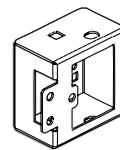
4x Plug LBS 21,5x15x17,5



2x



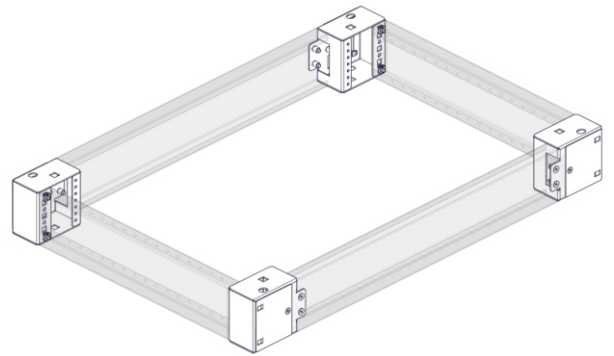
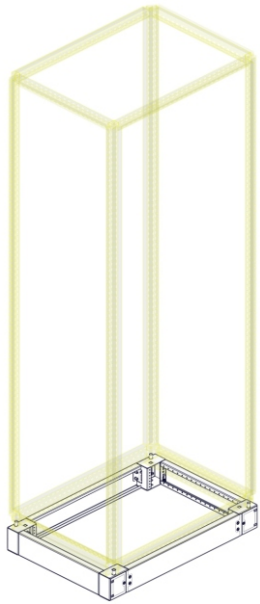
4x



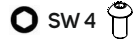
4x



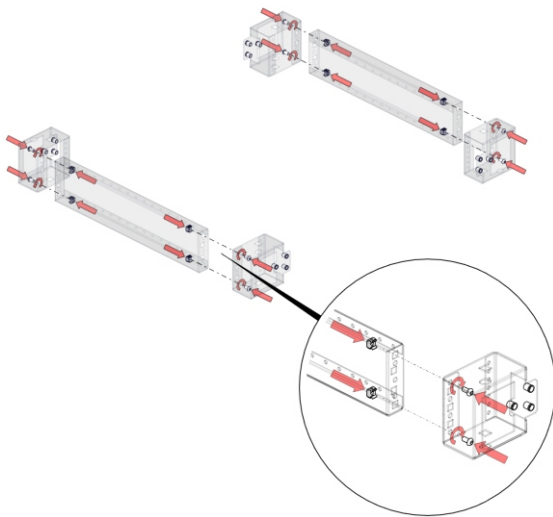
# G



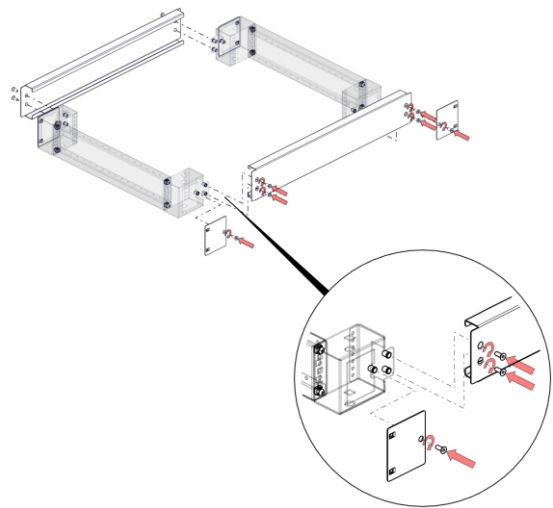
Item 17 (8x)



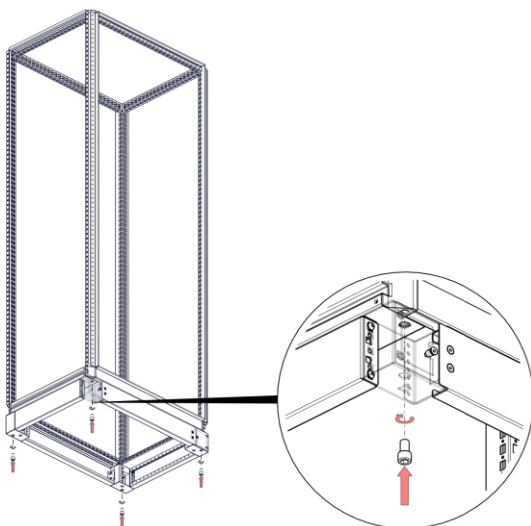
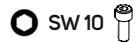
Item 28 (8x)



Item 29 (12x)



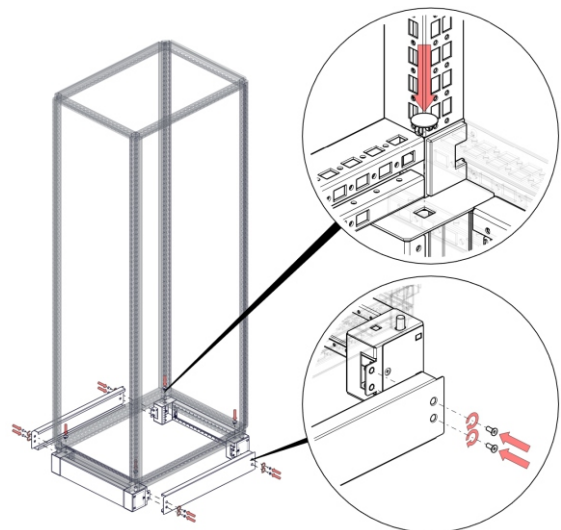
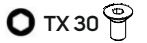
Item 30 (4x)



Item 35 (4x)

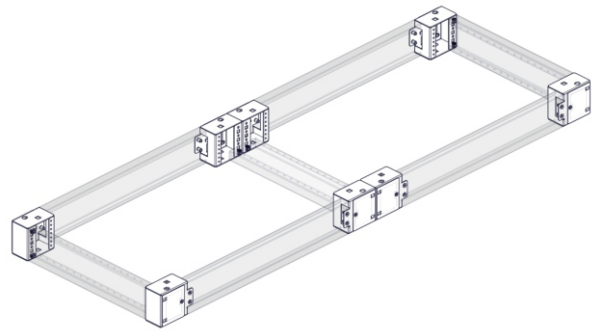
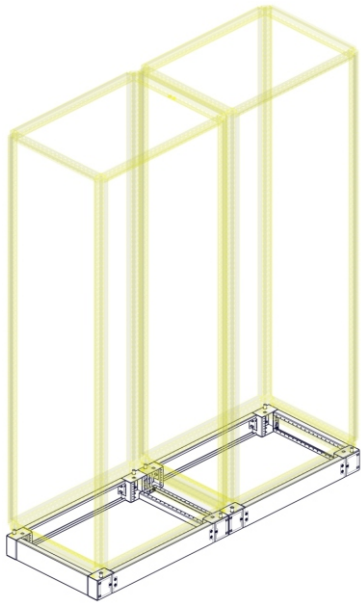


Item 29 (8x)





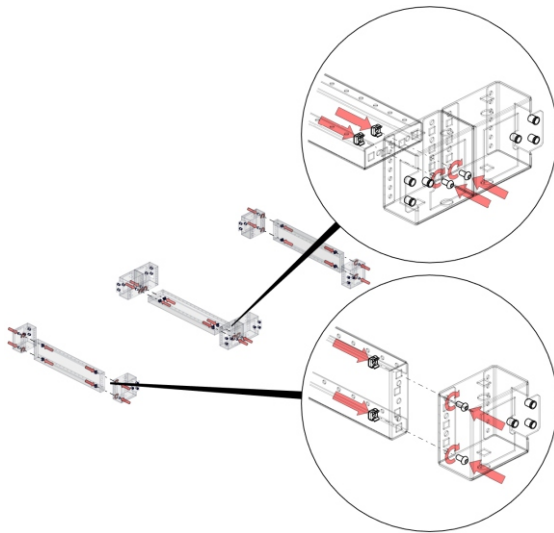
# H



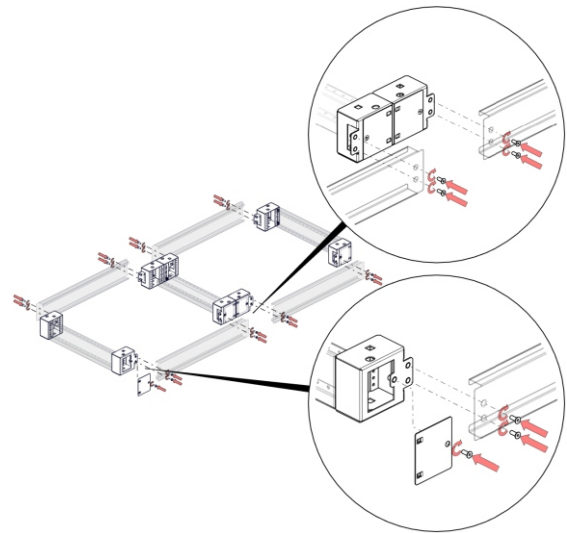
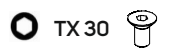
Item 17 (12x)



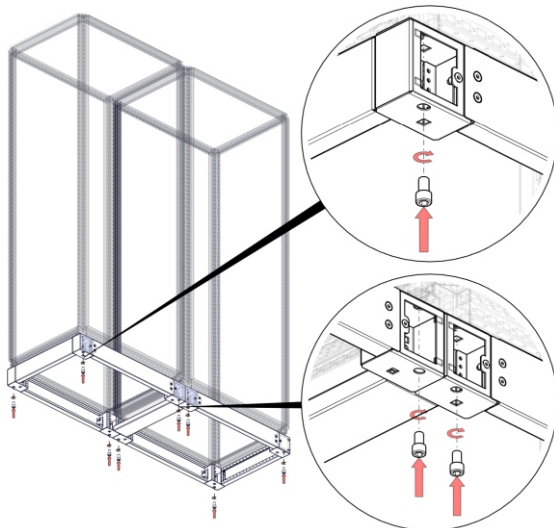
Item 28 (12x)



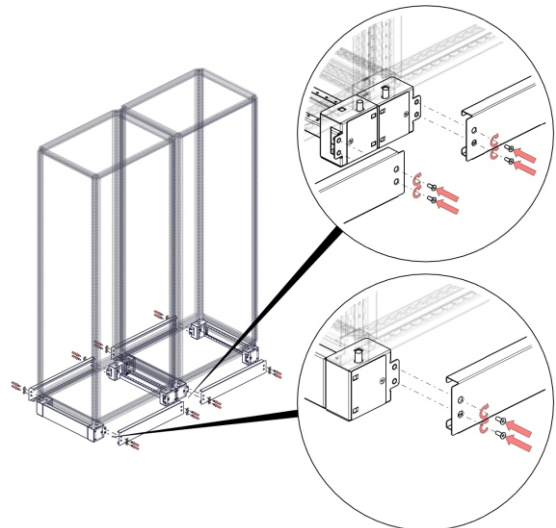
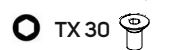
Item 29 (24x)

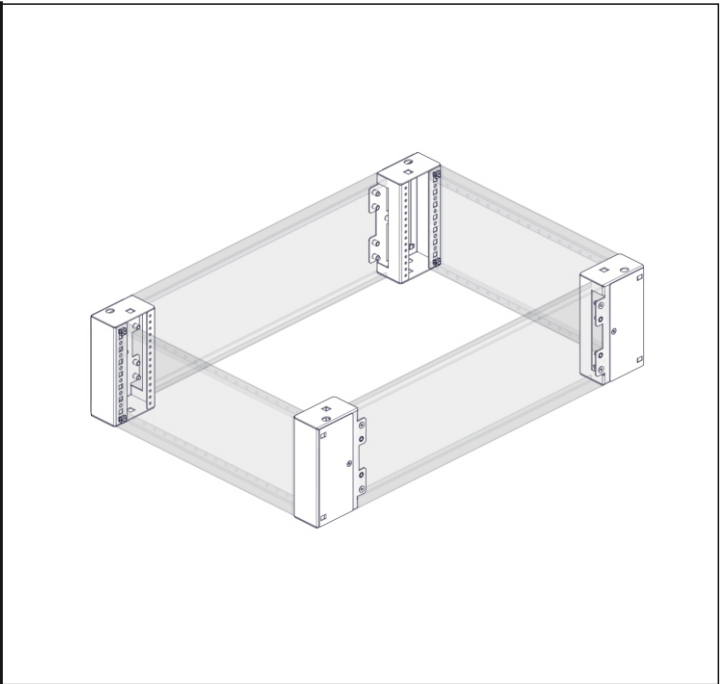
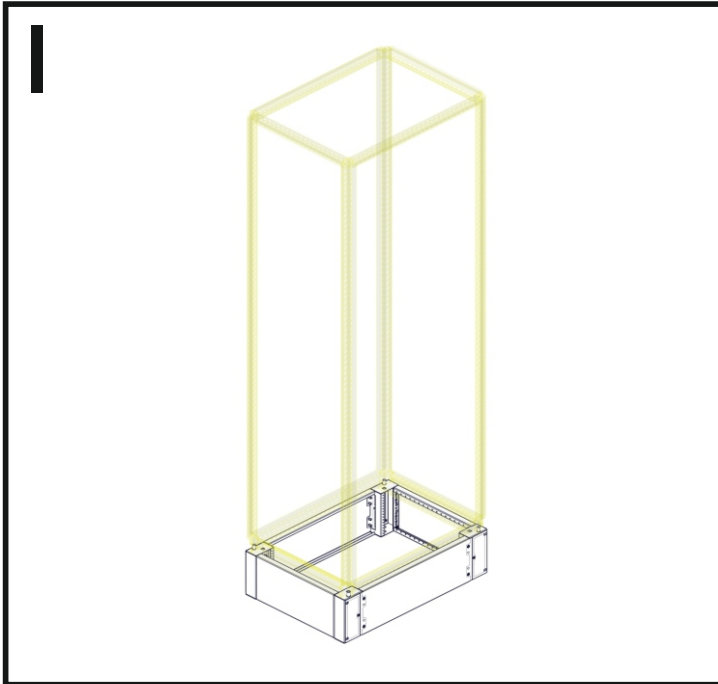


Item 30 (8x)



Item 29 (16x)





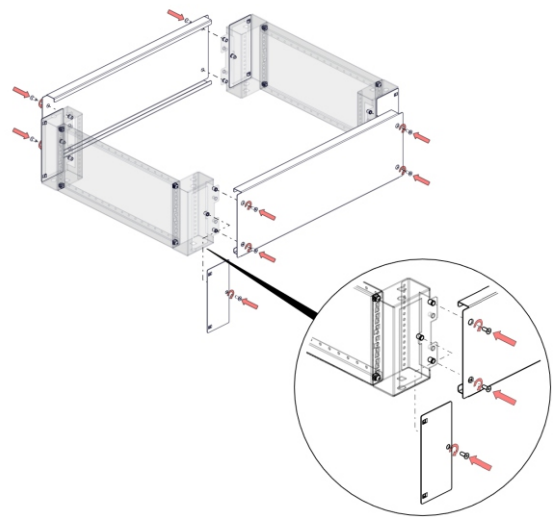
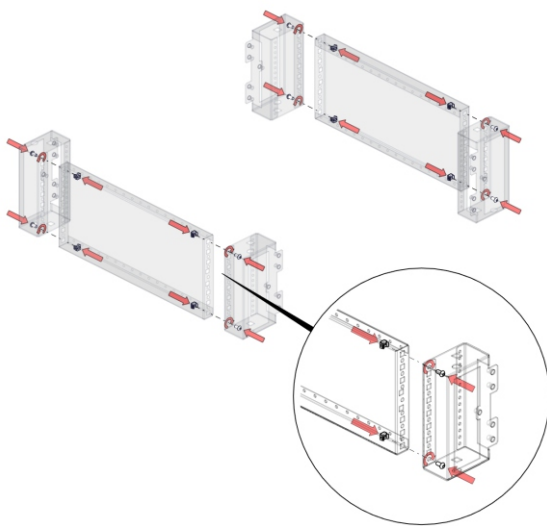
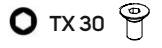
Item 17 (8x)



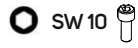
Item 28 (8x)



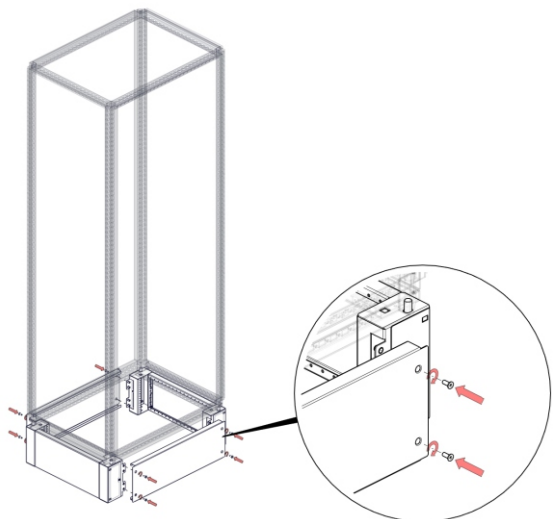
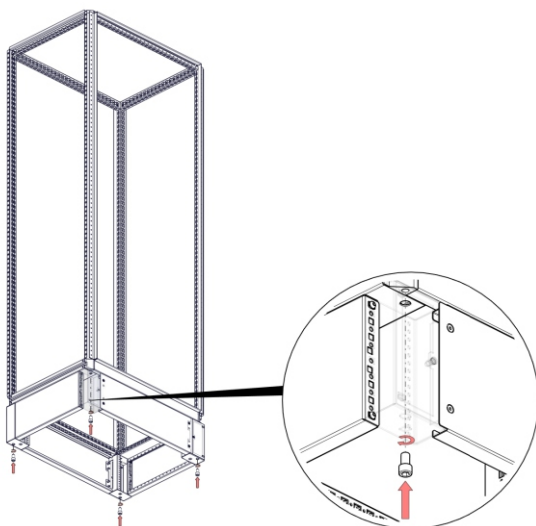
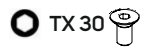
Item 29 (12x)



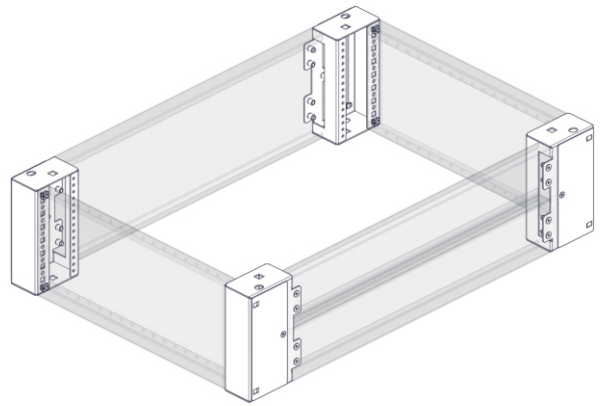
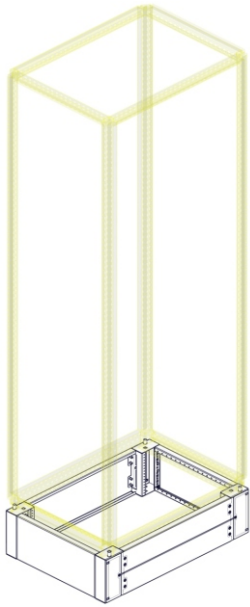
Item 30 (4x)



Item 29 (8x)



# J



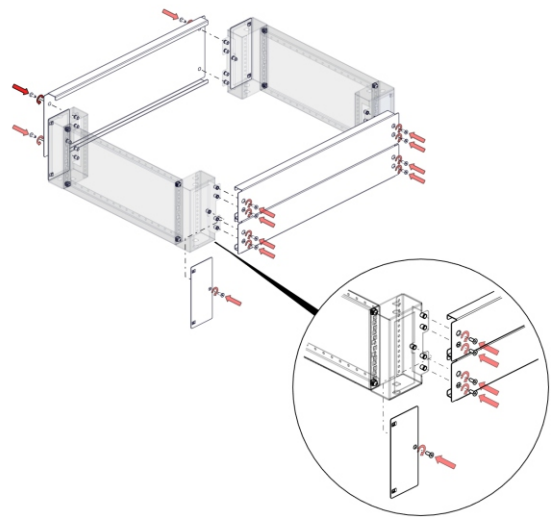
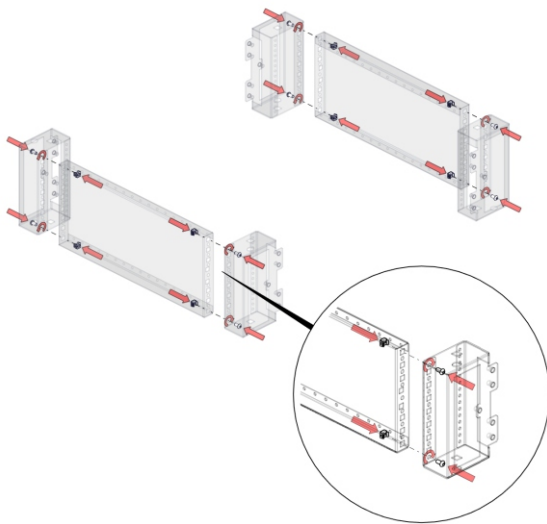
Item 17 (8x)



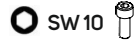
Item 28 (8x)



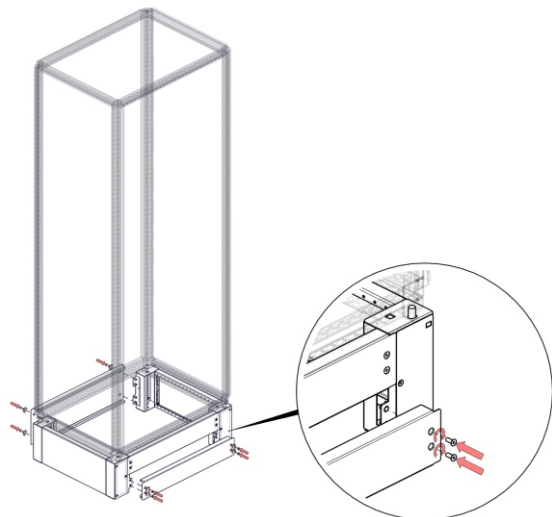
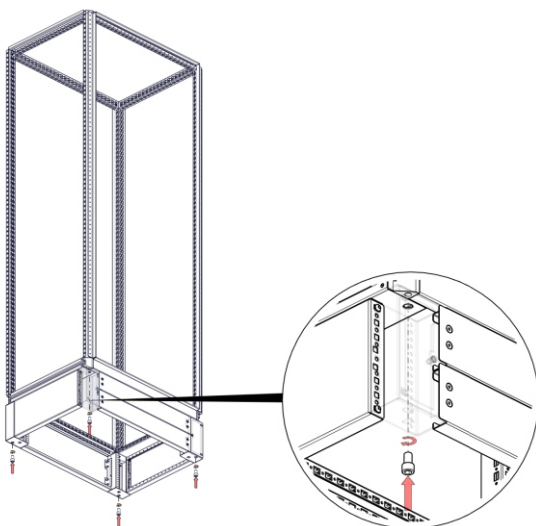
Item 29 (16x)



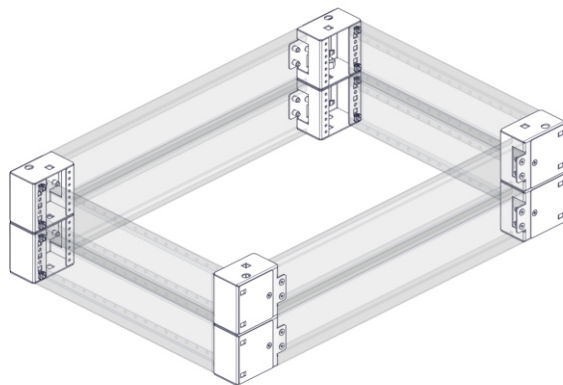
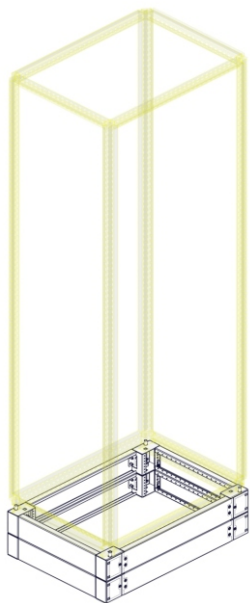
Item 30 (4x)



Item 29 (12x)



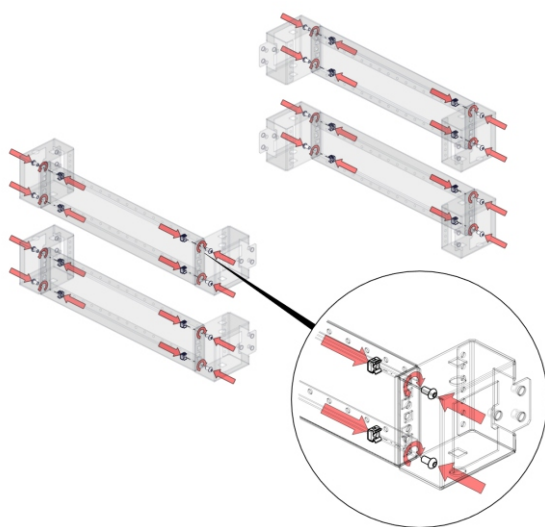
# K



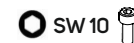
Item 17 (16x)



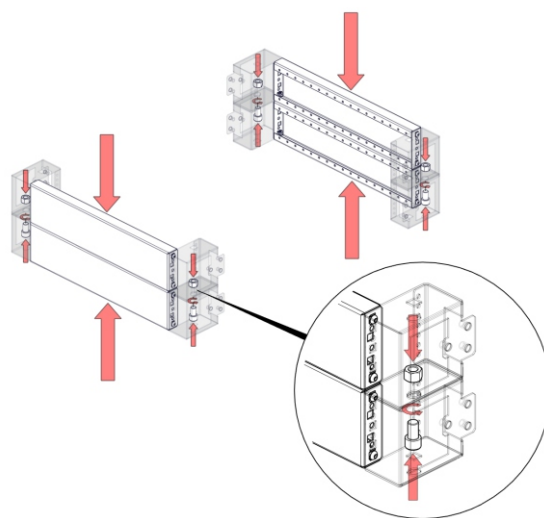
Item 28 (16x)



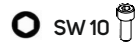
Item 30 (4x)



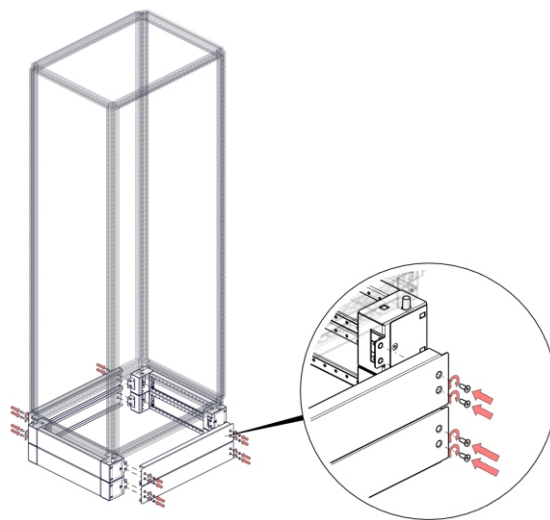
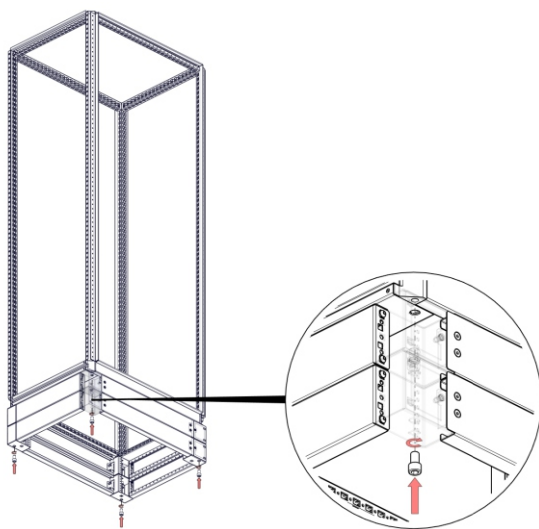
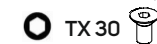
Item 33 (4x)

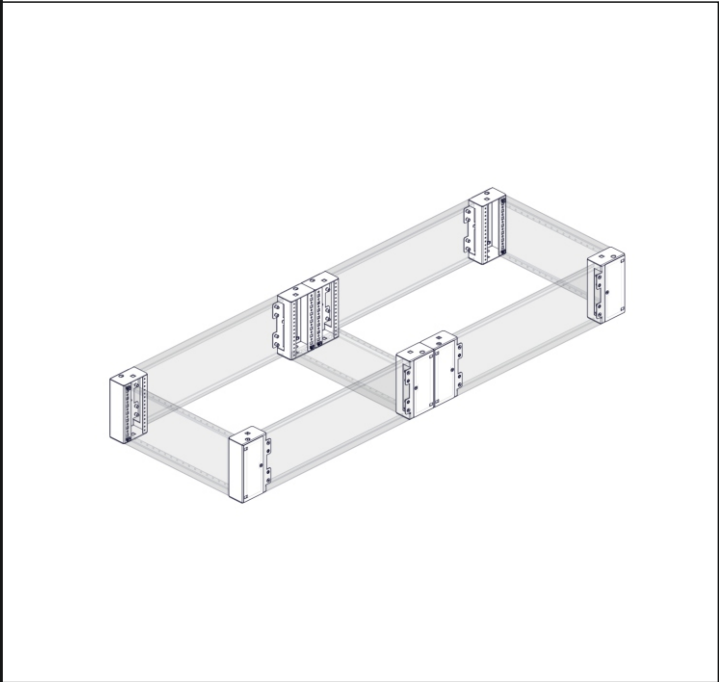
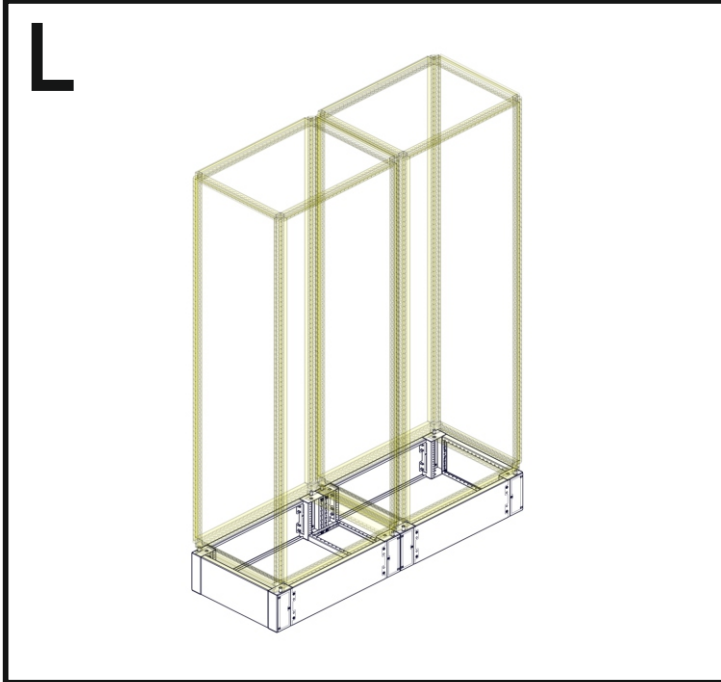


Item 30 (4x)

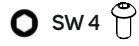


Item 29 (16x)





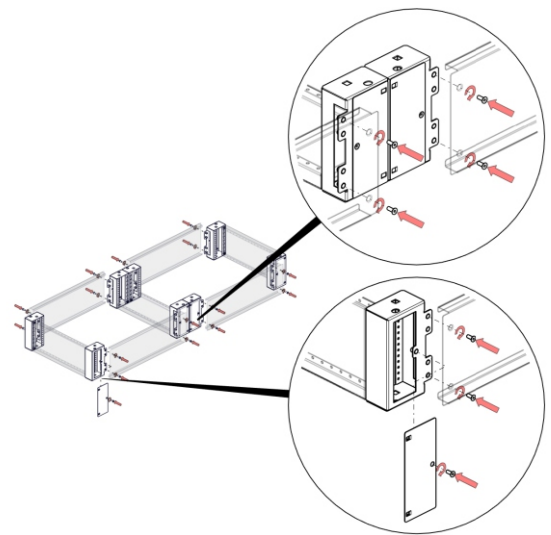
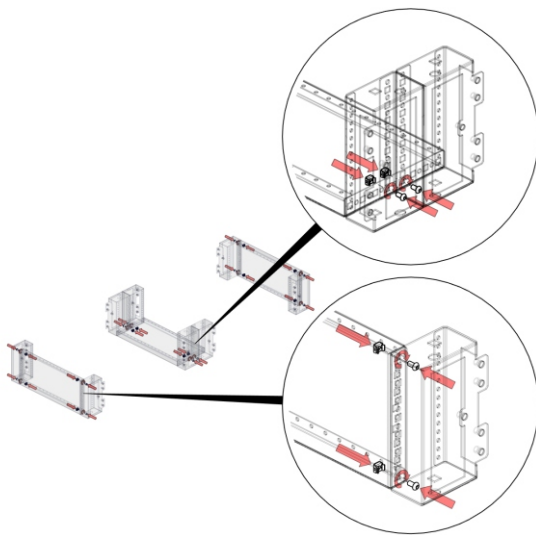
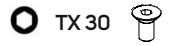
Item 17 (12x)



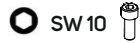
Item 28 (12x)



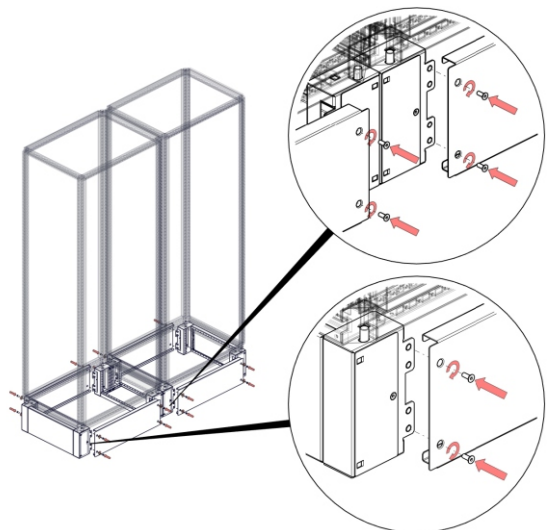
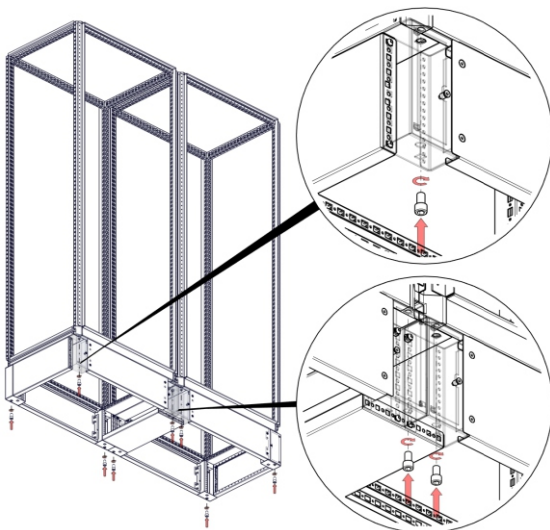
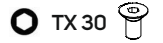
Item 29 (24x)



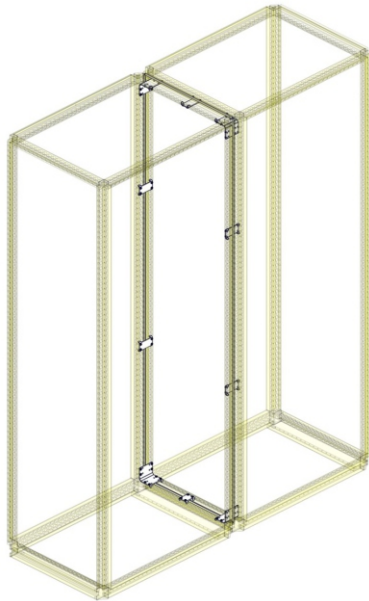
Item 30 (8x)



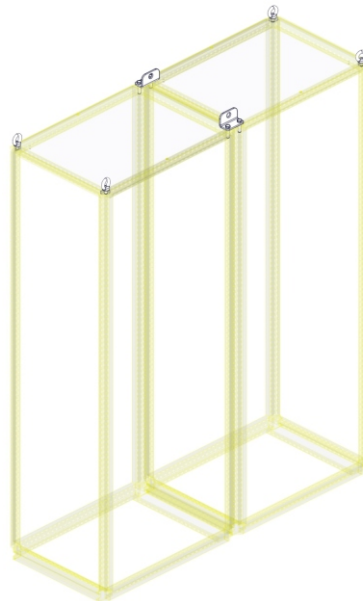
Item 29 (16x)



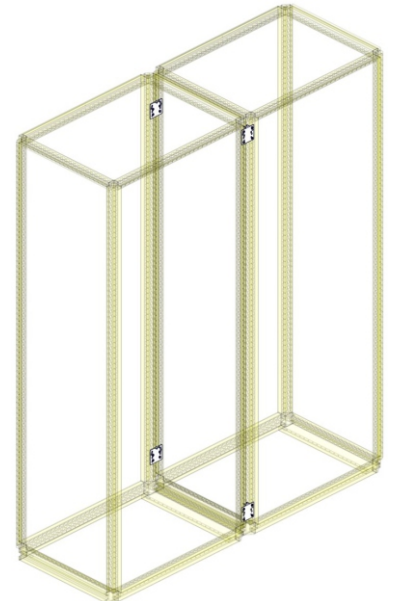
### ID-F-ROW



### ID-F-REB



### ID-F-AKI

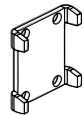


#### ID-F-ROW

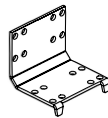
40x M5x9 Fastite



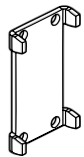
1x



4x



5x



3x 2m

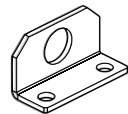


#### ID-F-REB

8x M12x20 DIN 912,Zn



4x

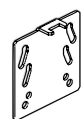


#### ID-F-AKI

16x M5x9 Fastite



4x

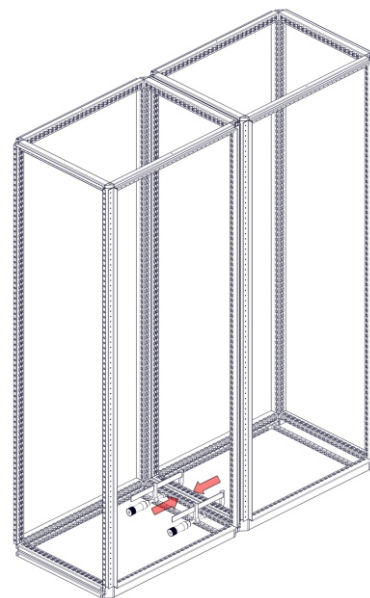
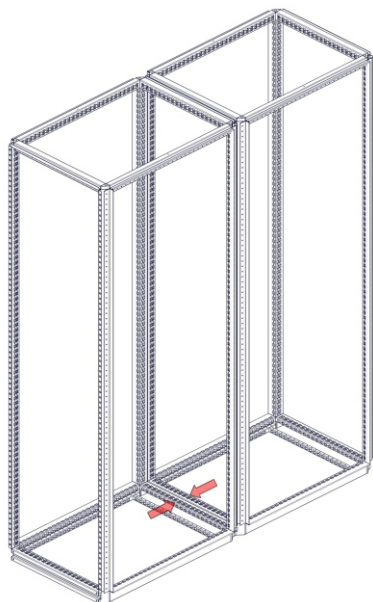
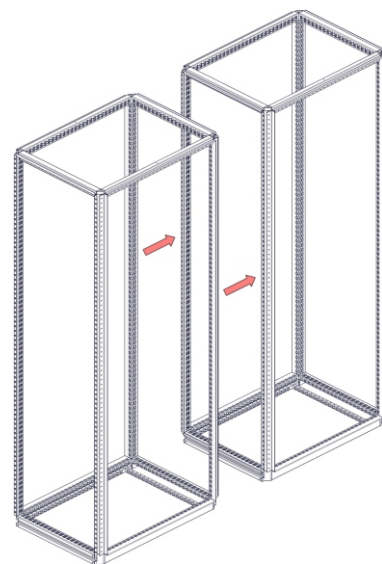
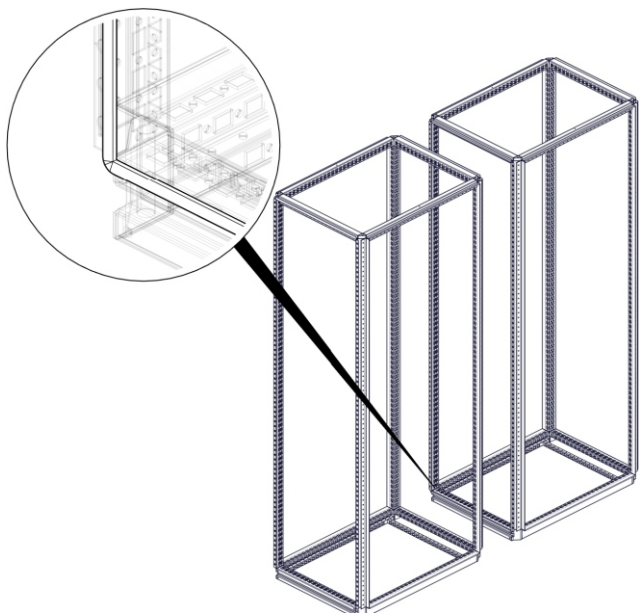
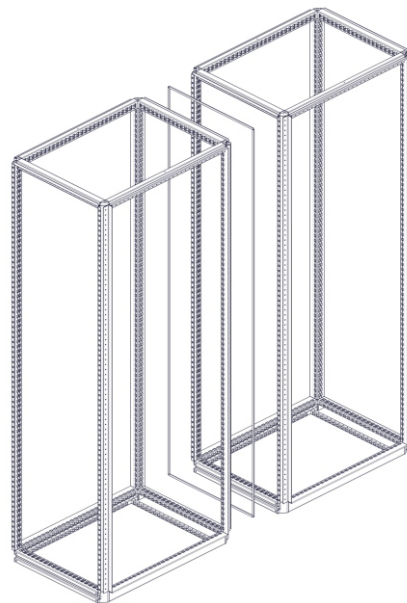
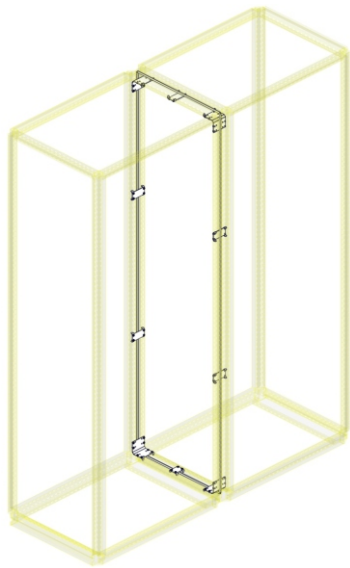


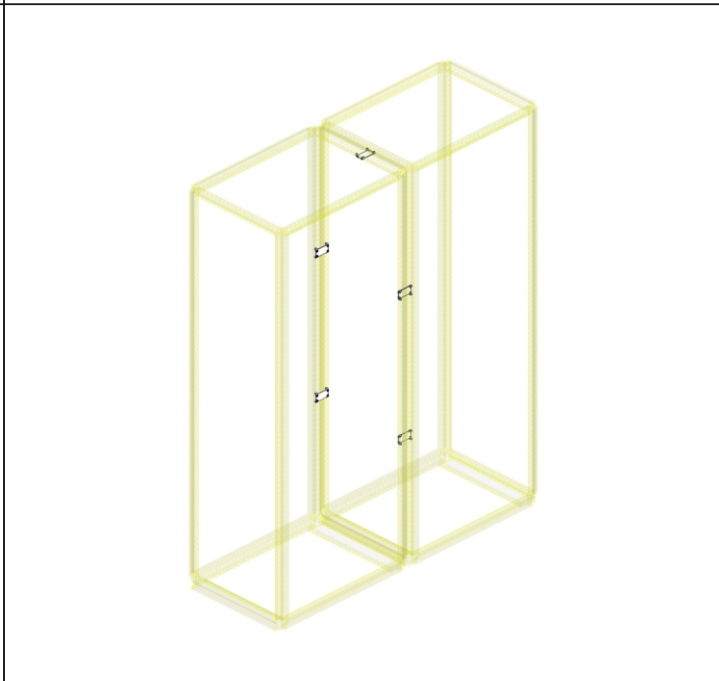
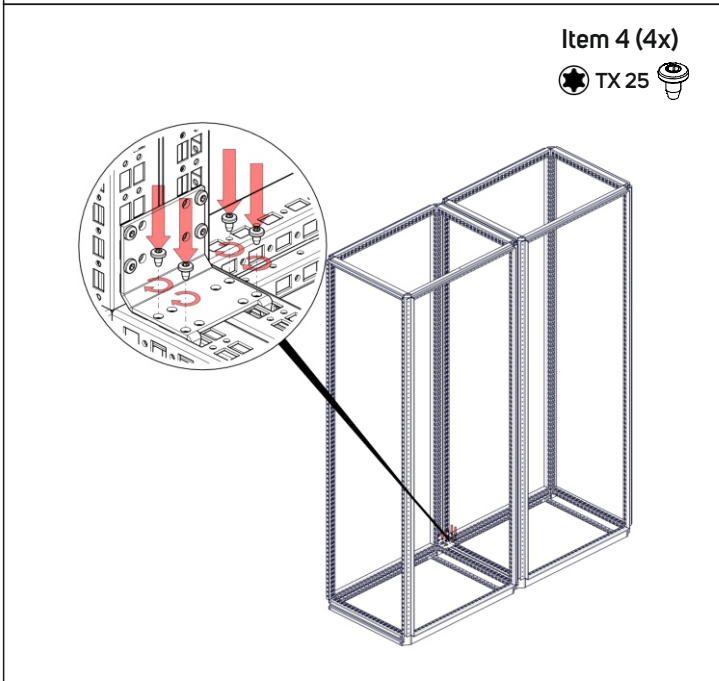
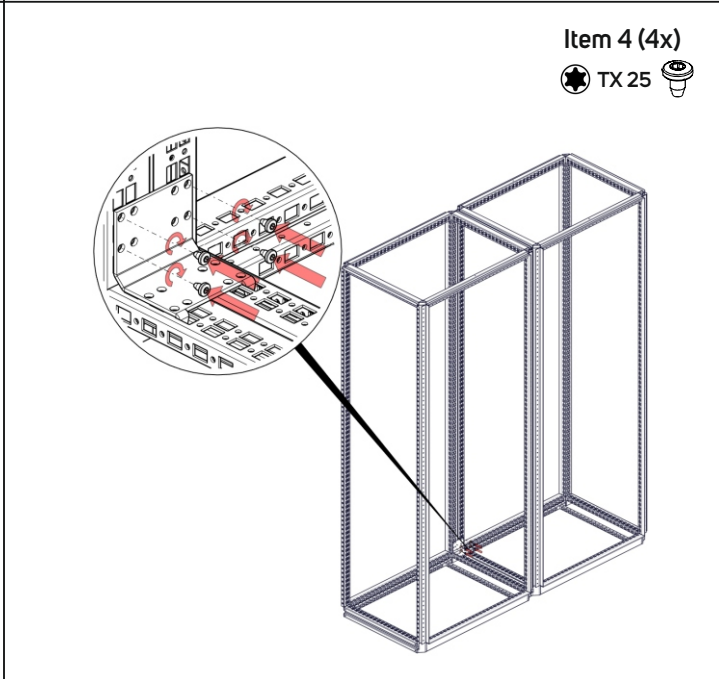
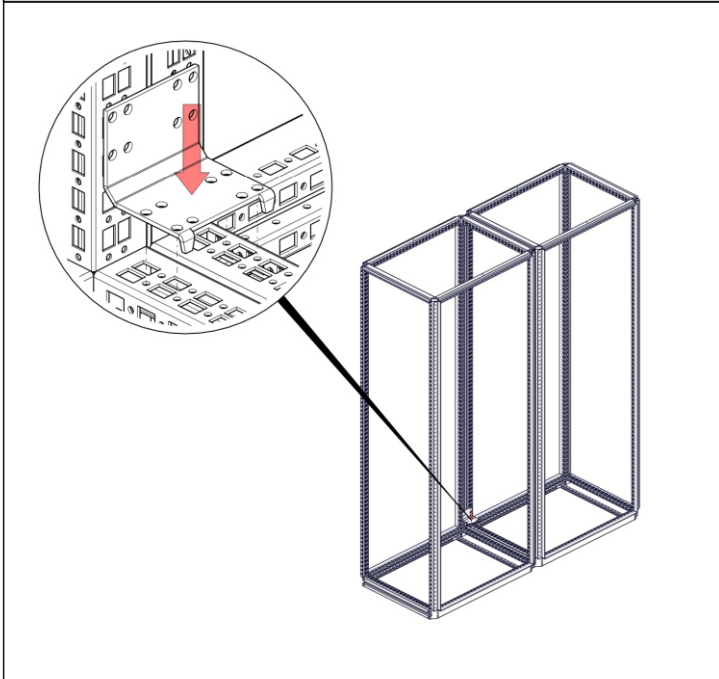
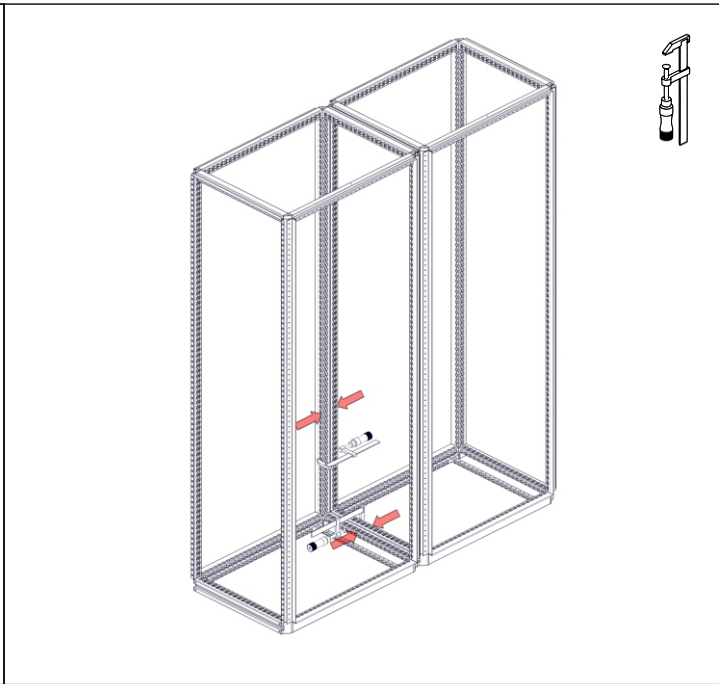
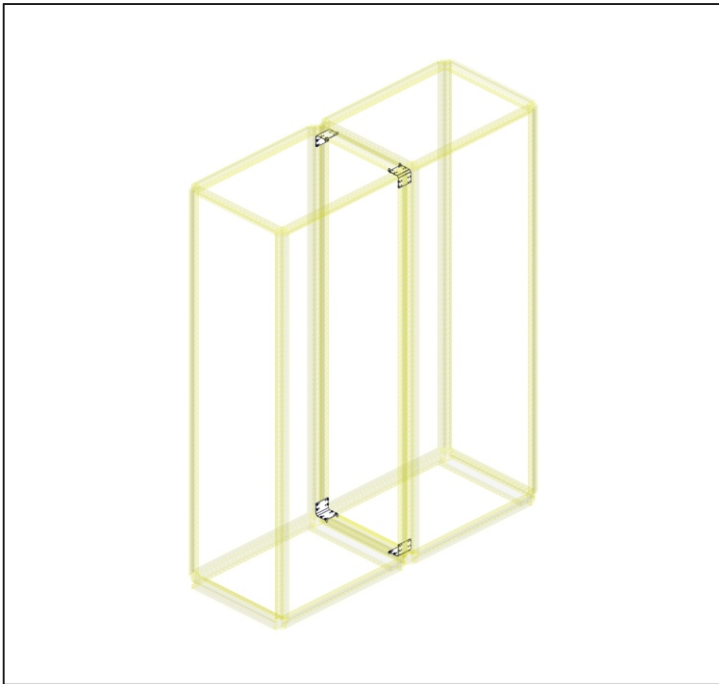
16x M6x12 Fastite



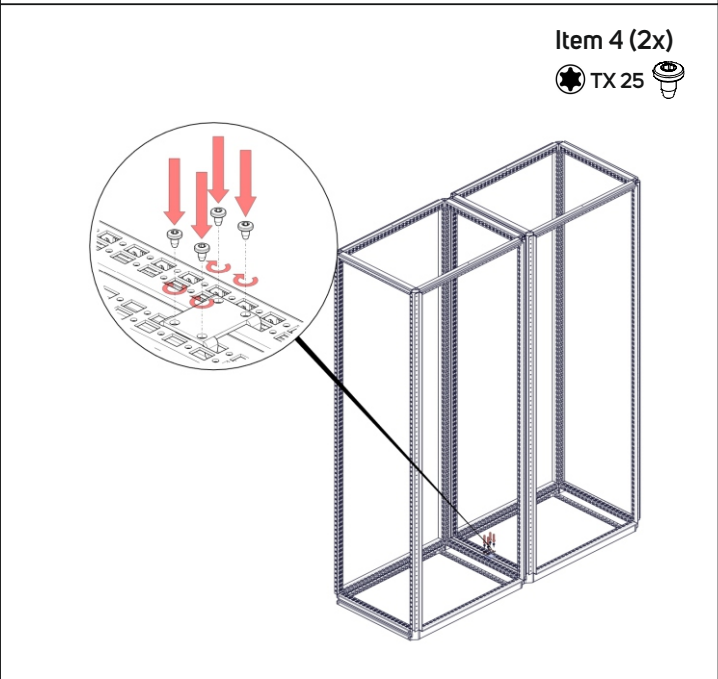
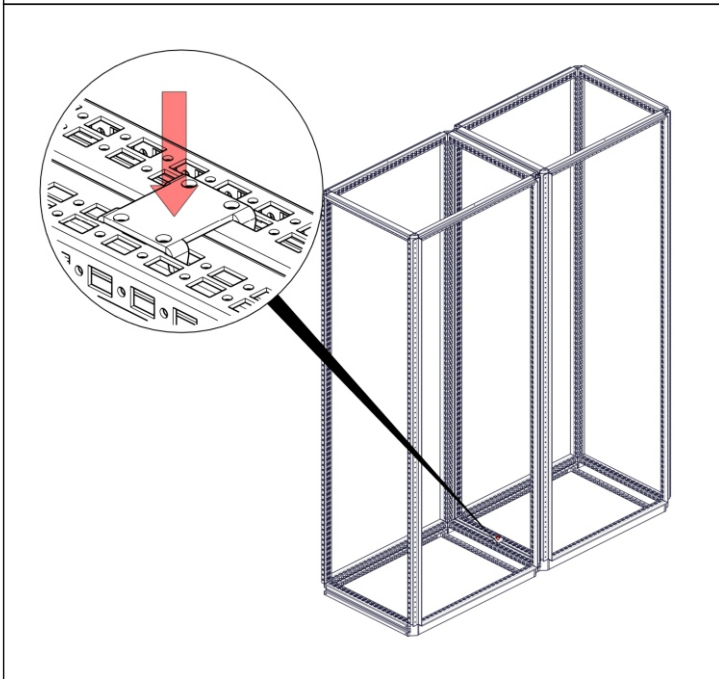
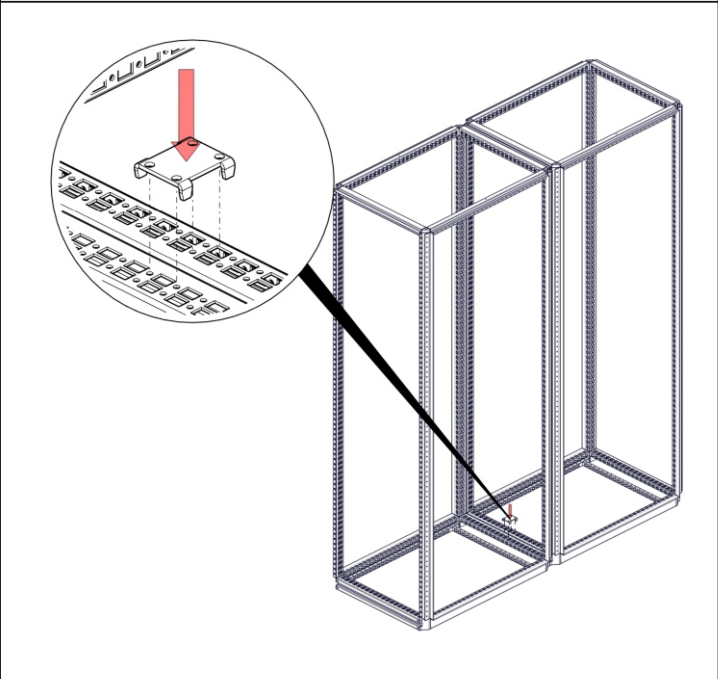
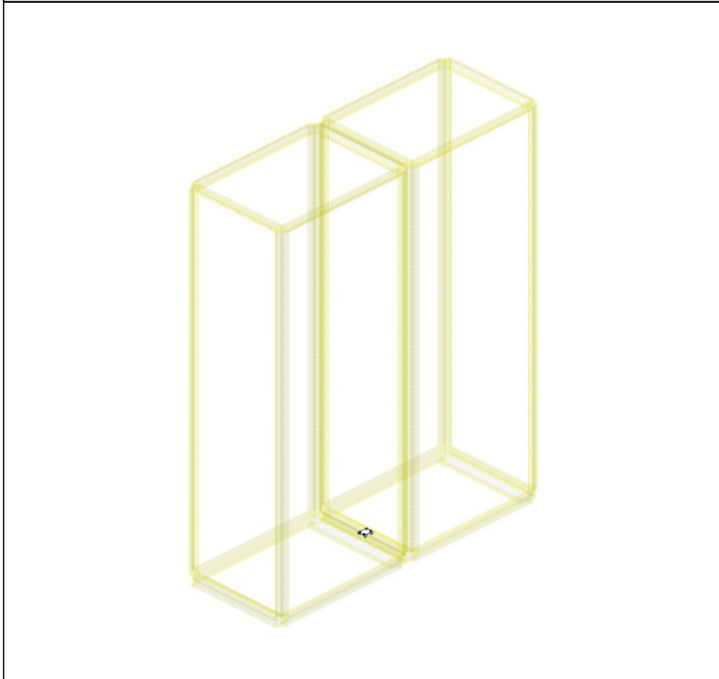
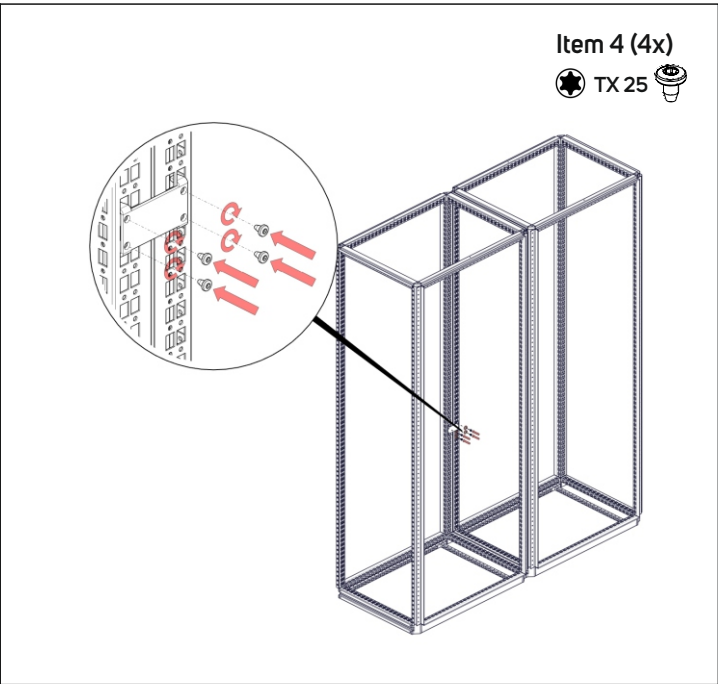
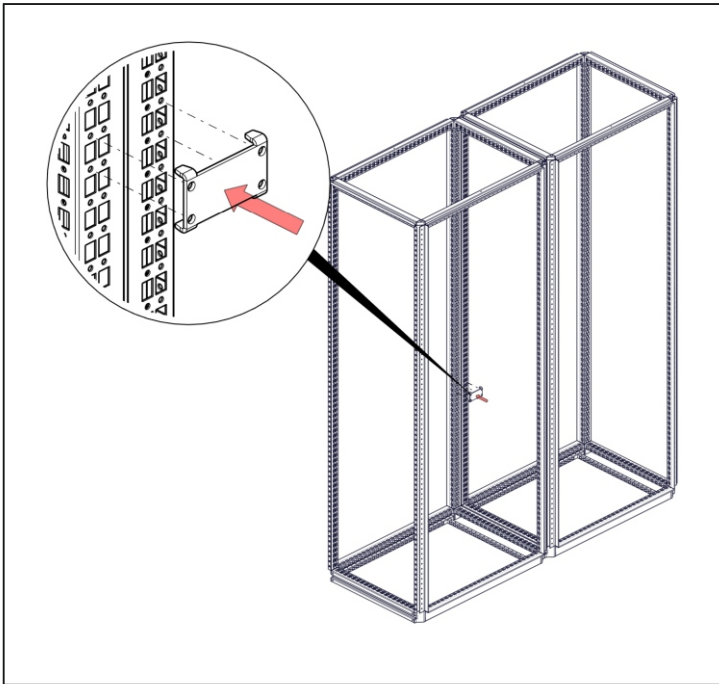
# M

## ID-F-ROW



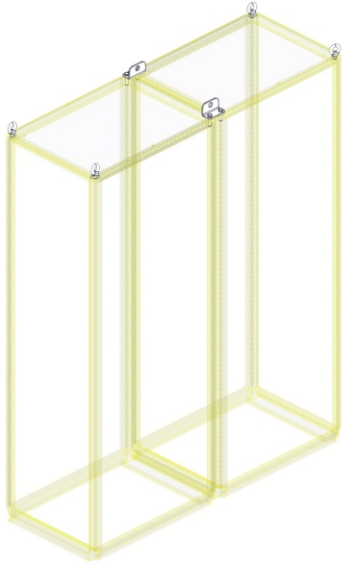




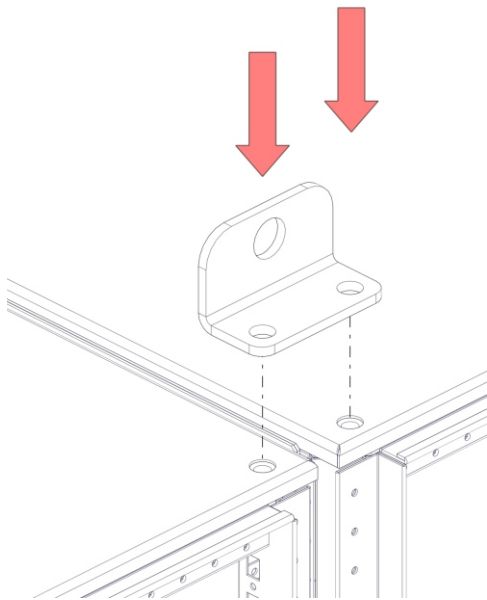
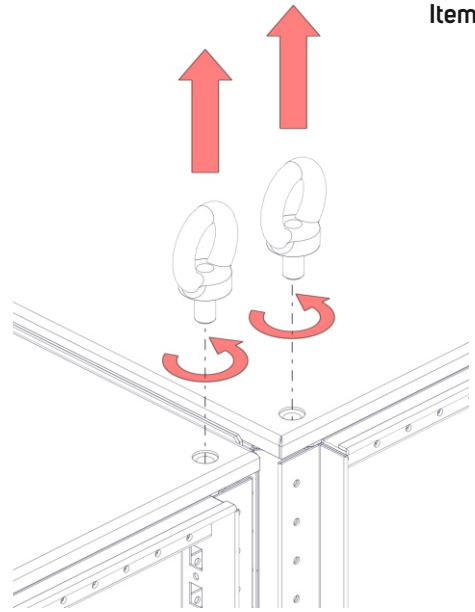


# N

## ID-F-REB

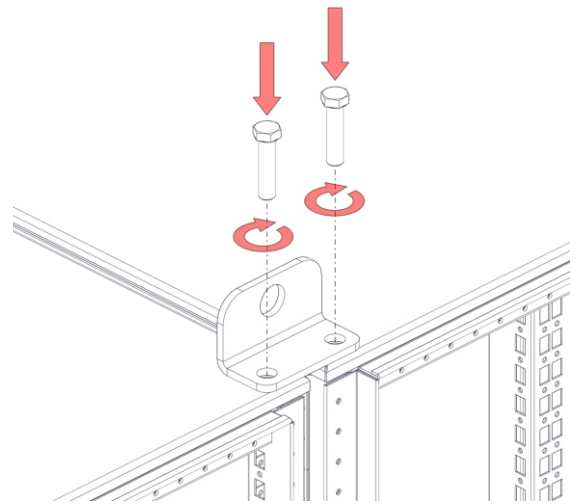


Item 25 (4x)



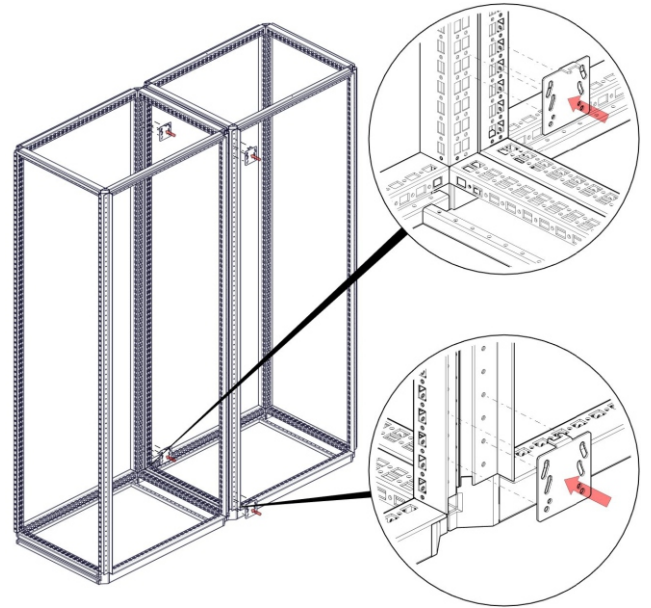
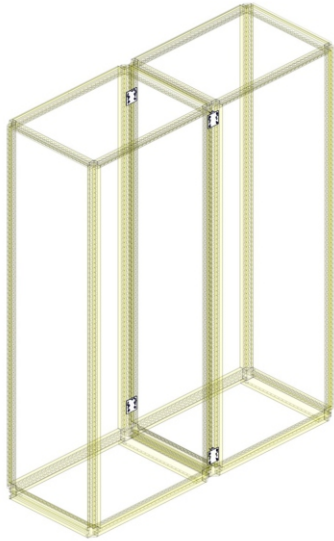
Item 30 (2x)

SW 10

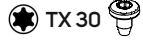


# 0

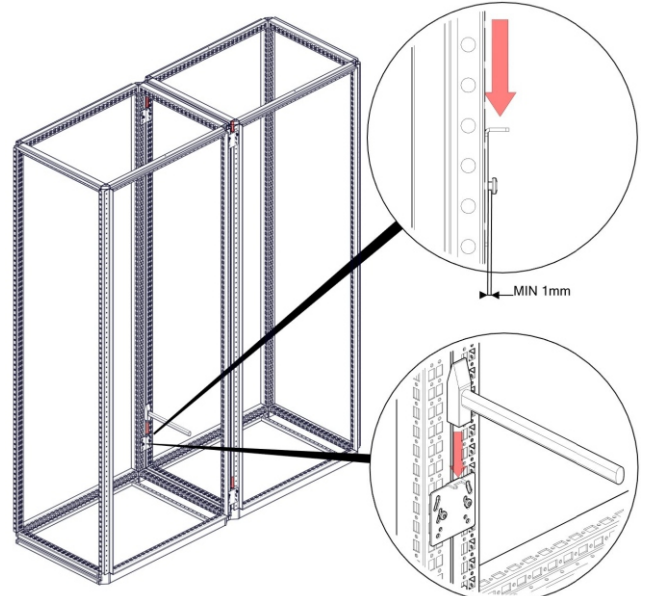
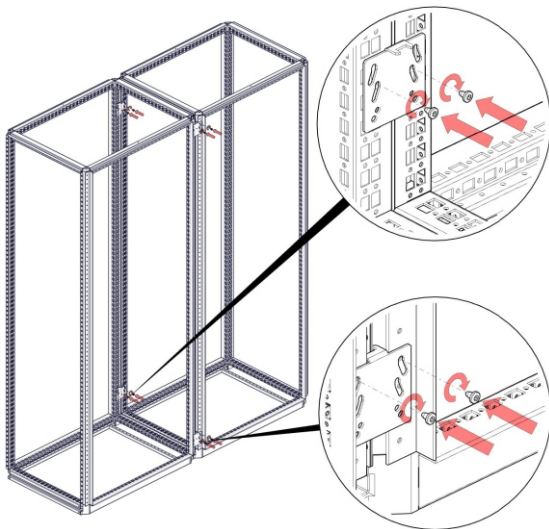
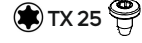
## ID-F-AKI



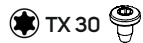
Item 5 (2x)



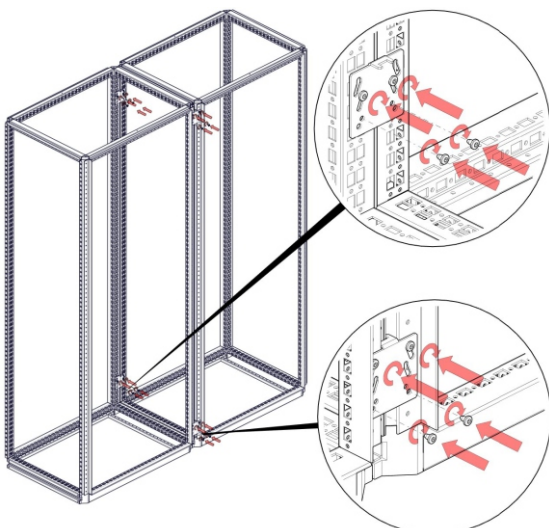
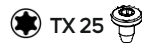
Item 4 (2x)



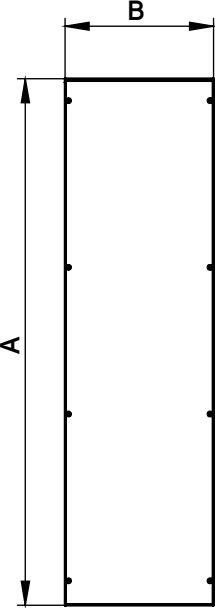
Item 5 (8x)



Item 4 (4x)



		A	B
ID-F-S1804	1800x400	1747	357
ID-F-S1805	1800x500	1747	457
ID-F-S1806	1800x600	1747	557
ID-F-S2004	2000x400	1947	357
ID-F-S2005	2000x500	1947	457
ID-F-S2006	2000x600	1947	557
ID-F-S2008	2000x800	1947	757
ID-F-S2206	2200x600	2147	557
ID-F-S2208	2200x800	2147	757



**ID-F-S xxxx**

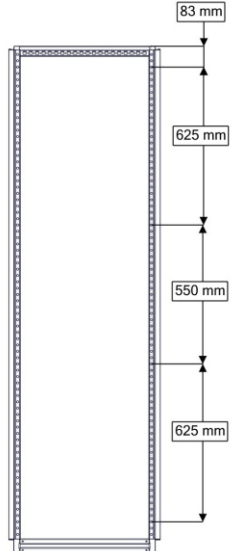
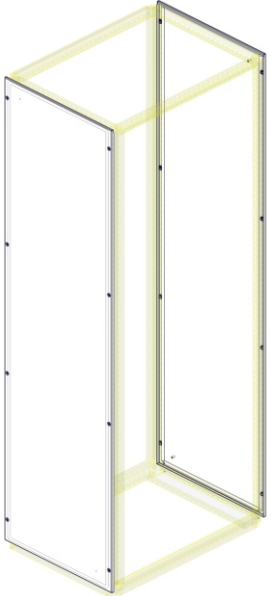
8x M6x12 DIN 7991,BlZn

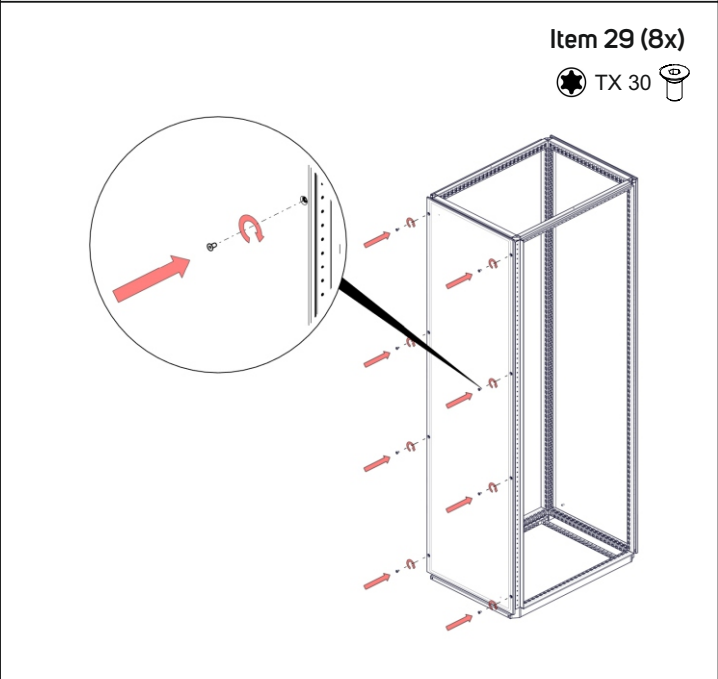
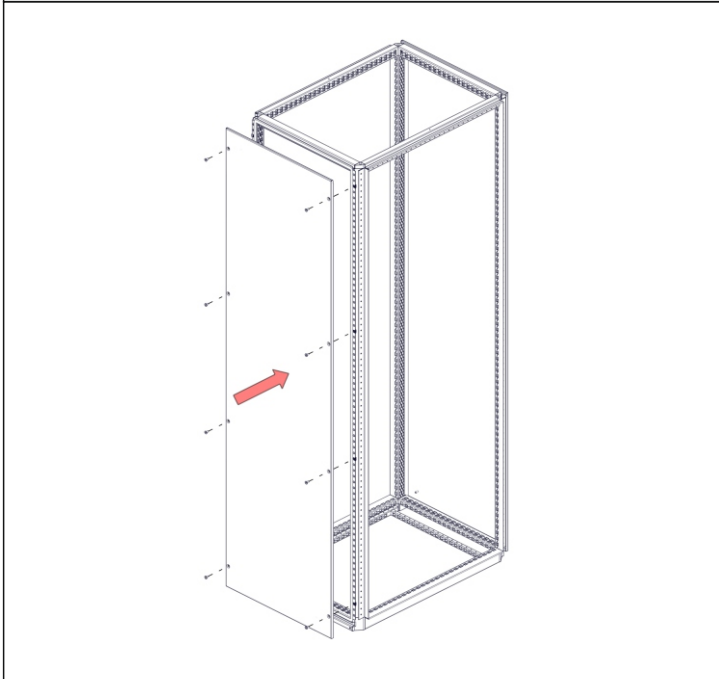
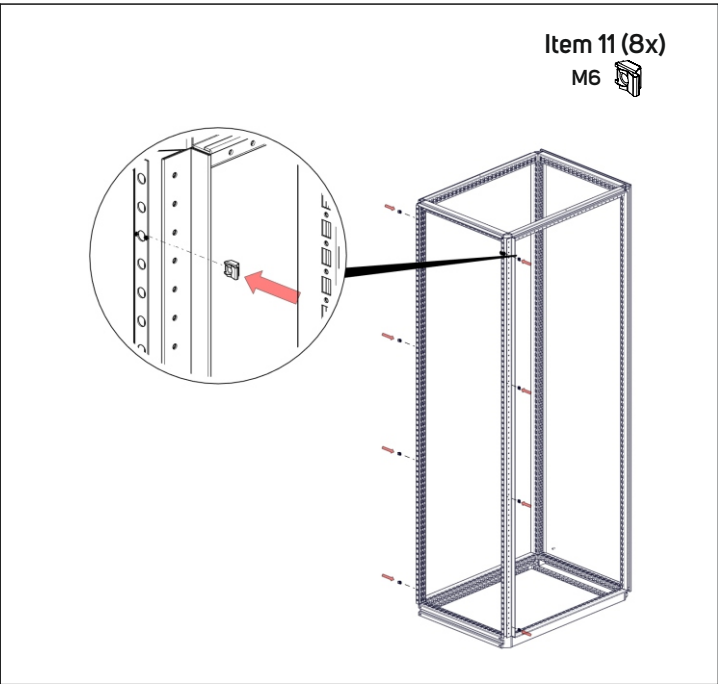
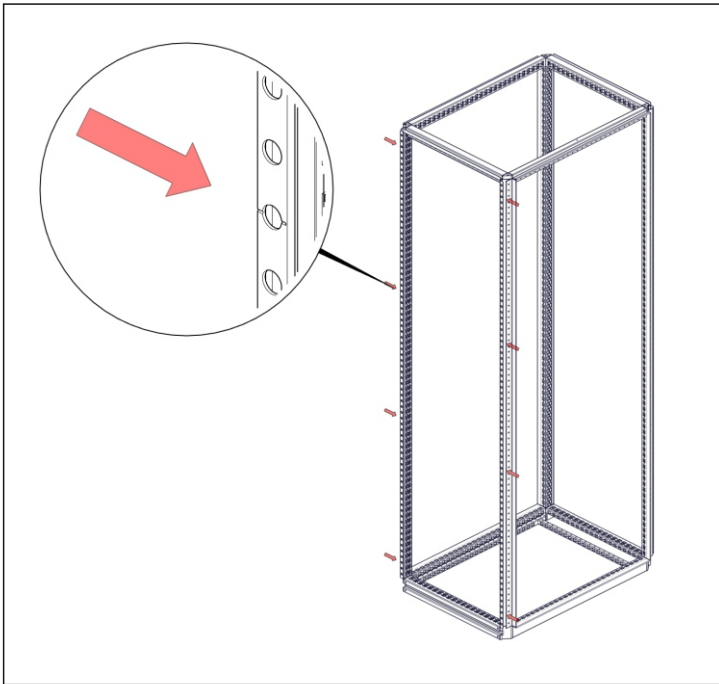


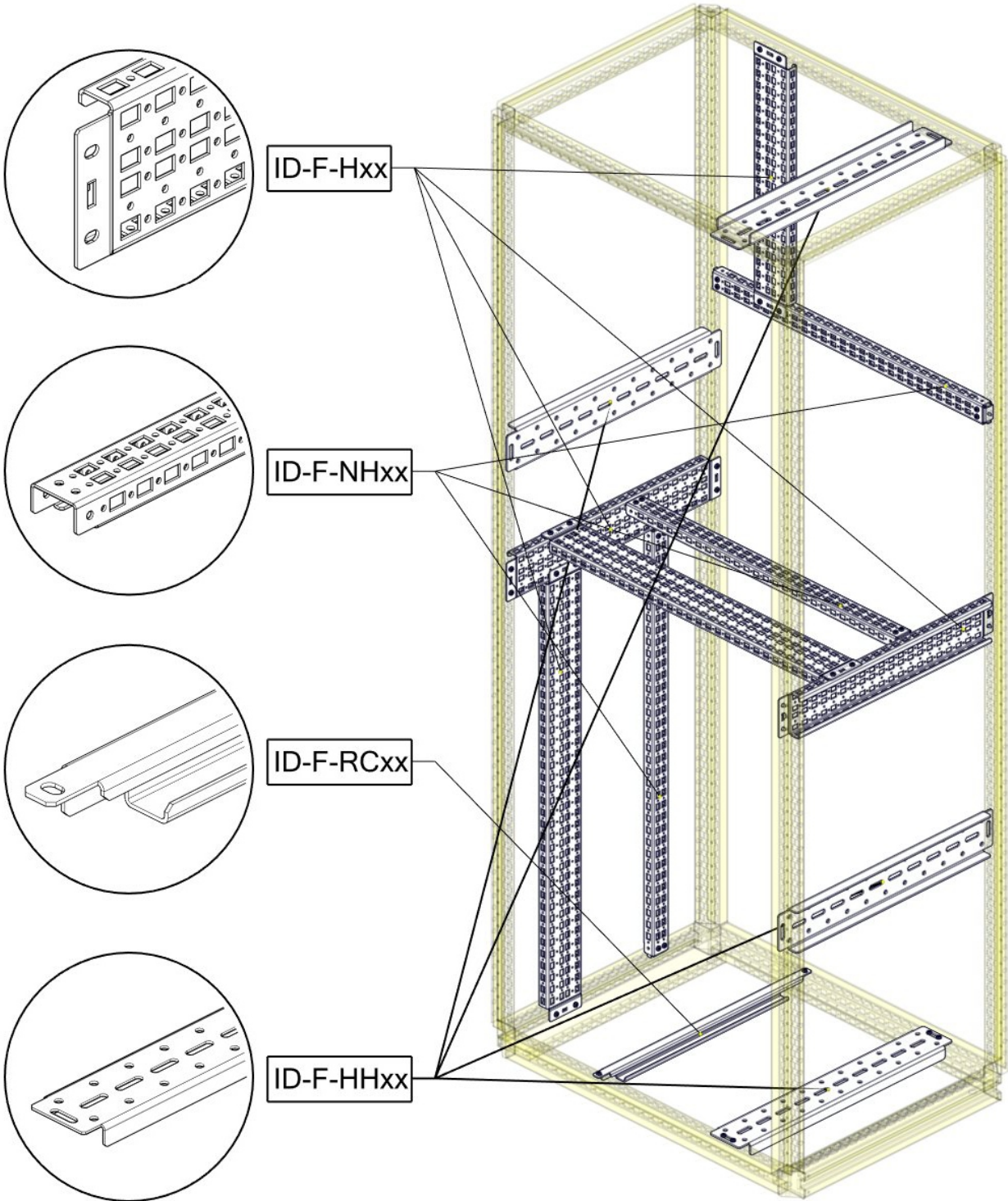
8x M6



**P**

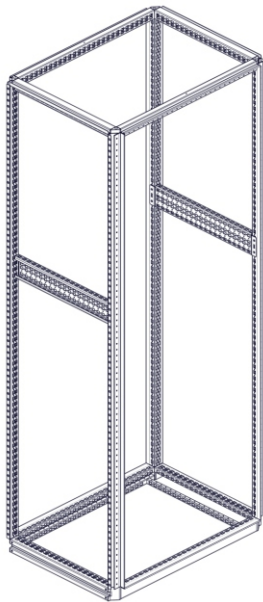
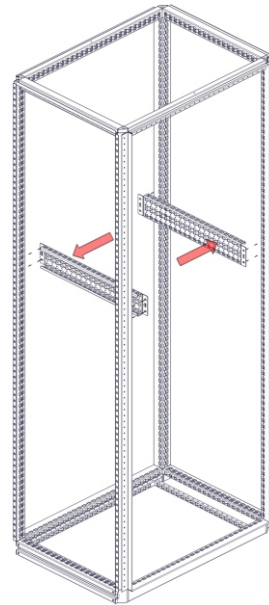




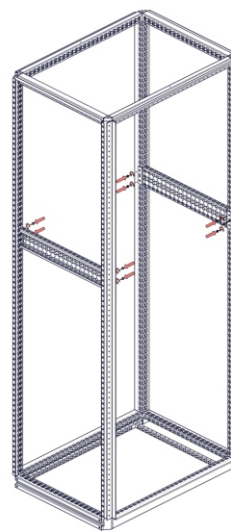
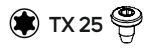


Q

ID-F-Hxx

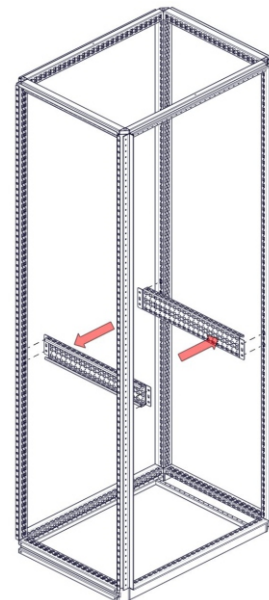
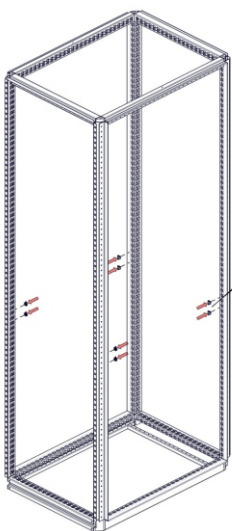


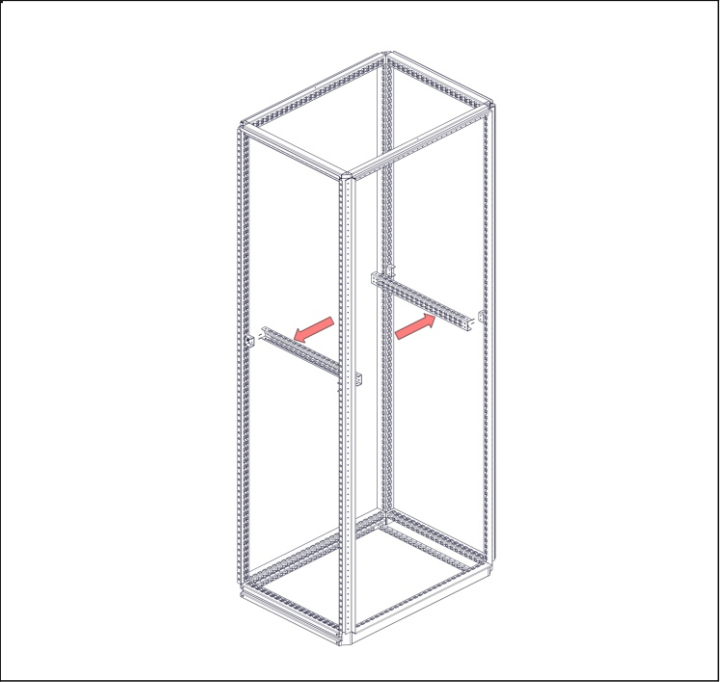
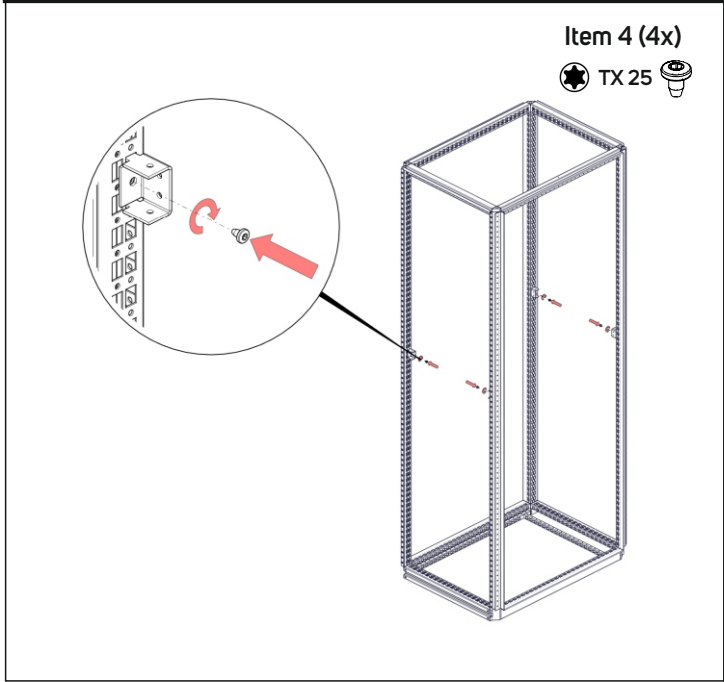
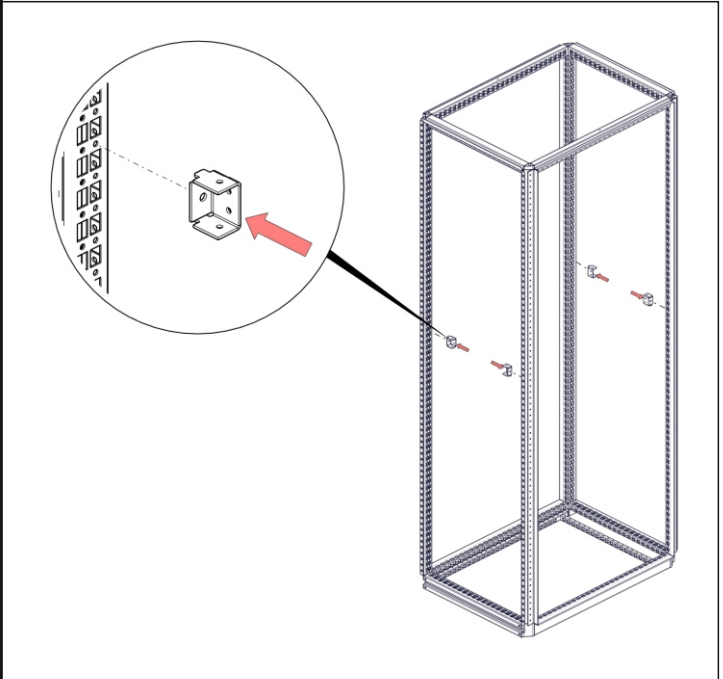
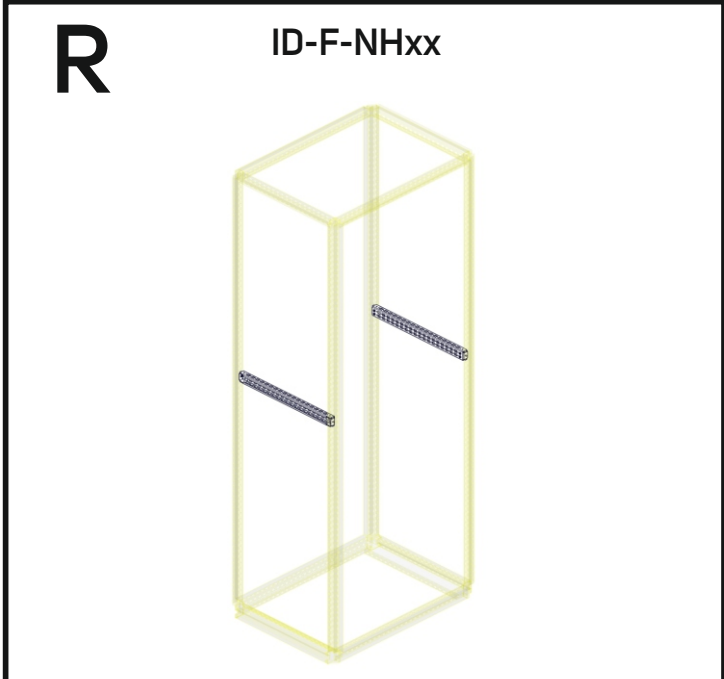
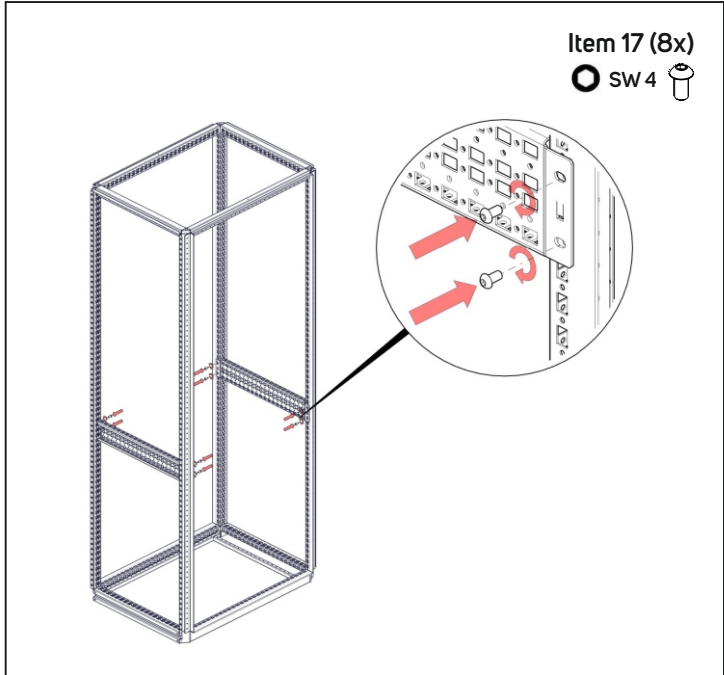
Item 4 (8x)



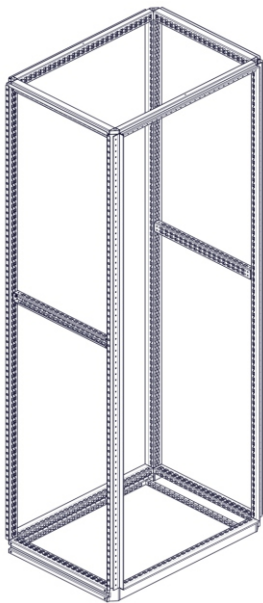
Item 28 (8x)

M6

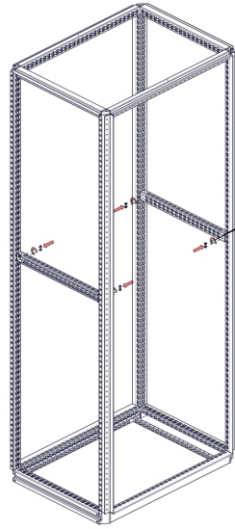
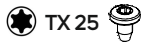






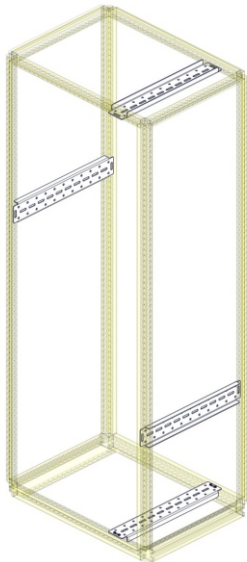


Item 4 (8x)



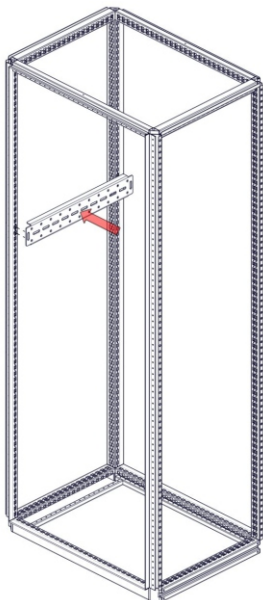
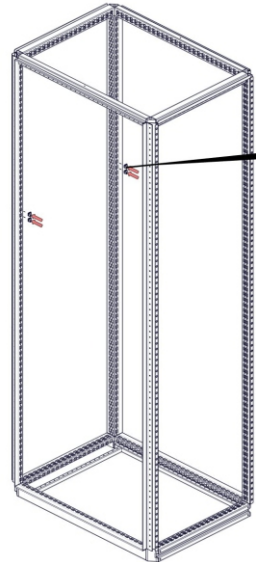
**S**

ID-F-HHxx



Item 28 (4x)

M6

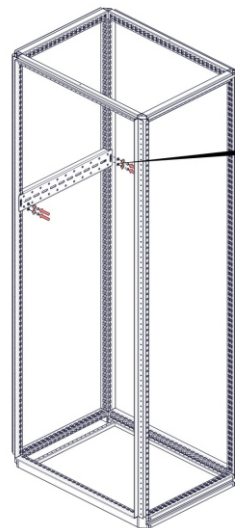


Item 13 (10x)



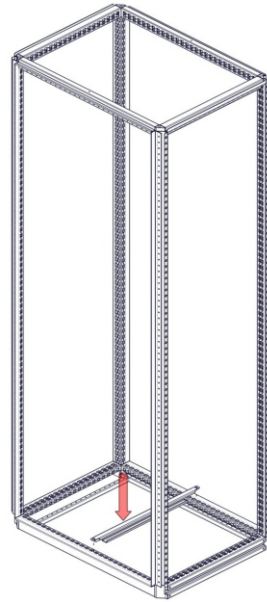
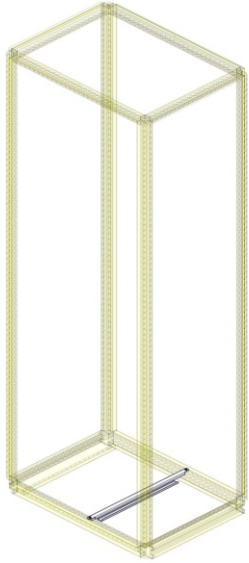
Item 17 (4x)

SW 4

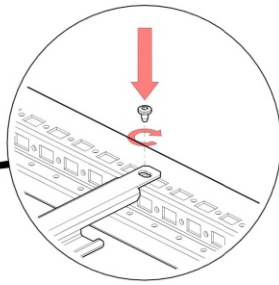
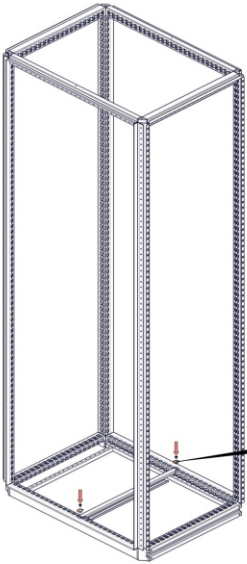


# T

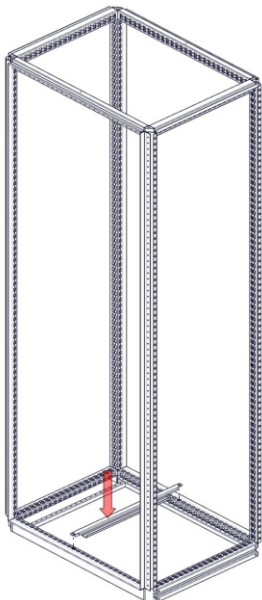
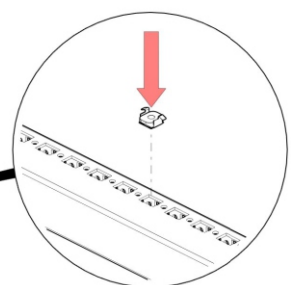
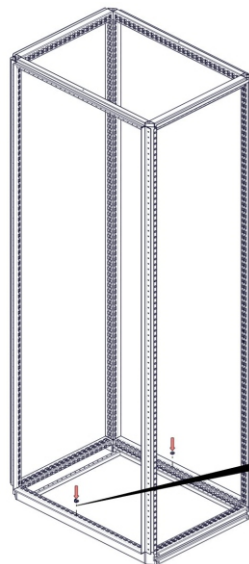
## ID-F-RCxx



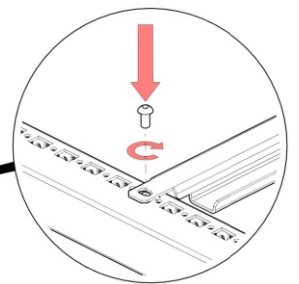
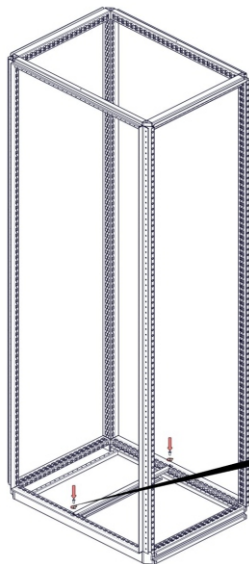
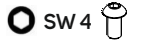
Item 4 (2x)

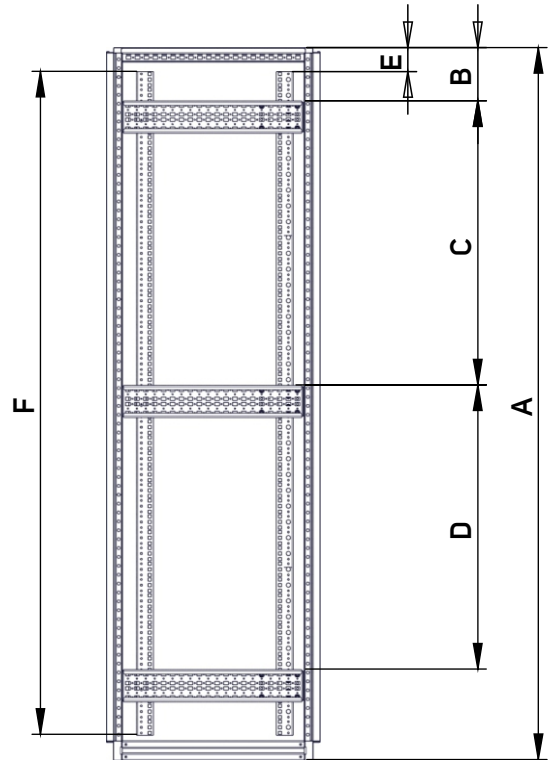
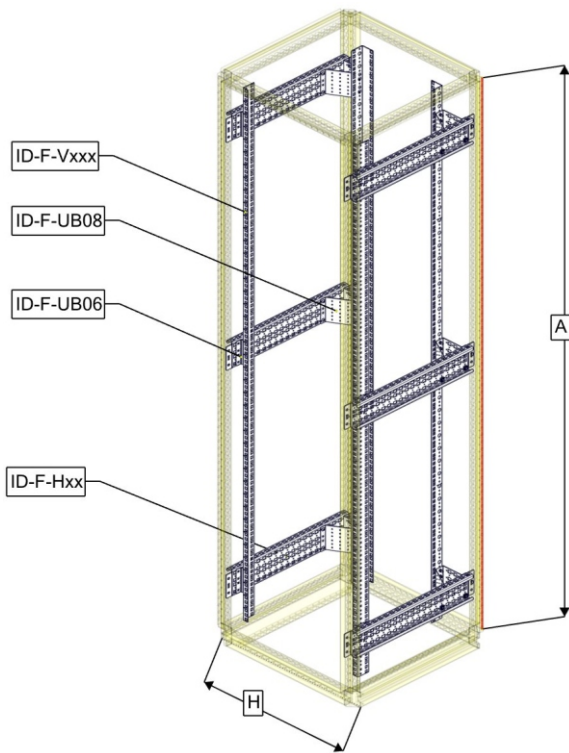


Item 28 (2x)



Item 17 (2x)





	AxH	A	B	C	D	E	F
ID-F-V186	1800x600	1800	100	700	800	95	1600
ID-F-V206	2000x600	2000	150	800	800	67	1867
ID-F-V226	2200x600	2200	150	800	900	67	2045
ID-F-V188	1800x800	1800	100	700	800	95	1600
ID-F-V208	2000x800	2000	150	800	800	67	1864
ID-F-V228	2200x800	2200	150	800	900	67	2045

### ID-F-UB06

12x M5x8 ISO 7380,Zn



24x M6



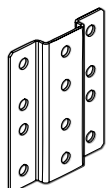
24x M6x12 ISO 7380,Zn



24x M5x9 Fastite,Zn



6x



### ID-F-UB08

12x M5x8 ISO 7380,Zn



24x M6



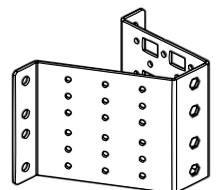
24x M6x12 ISO 7380,Zn



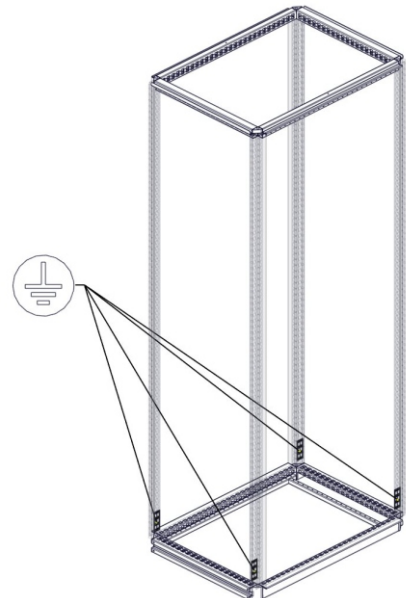
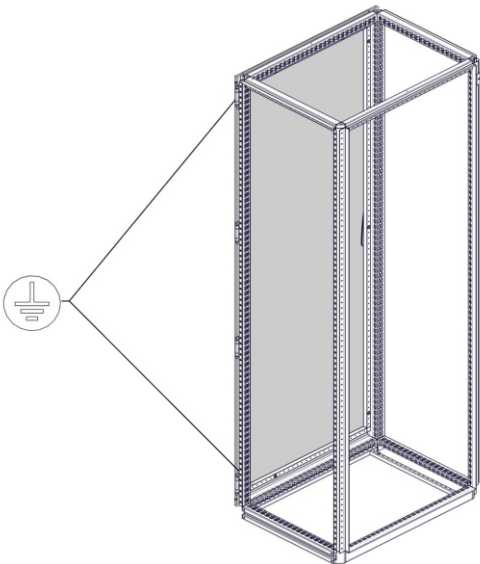
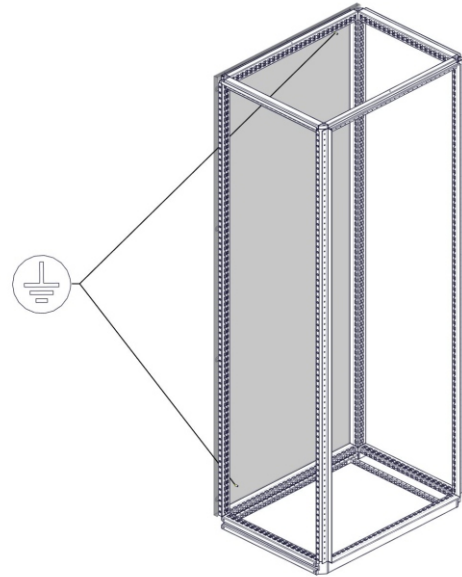
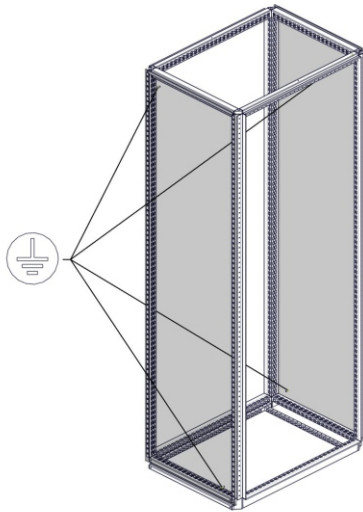
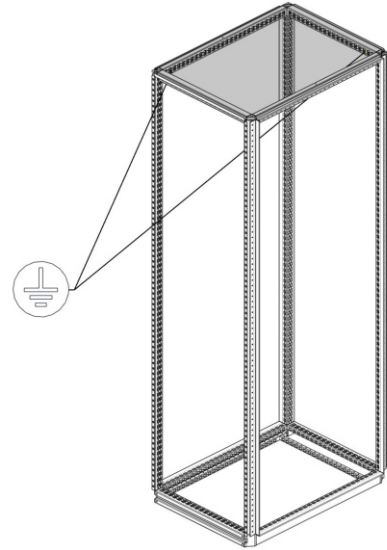
24x M5x9 Fastite,Zn

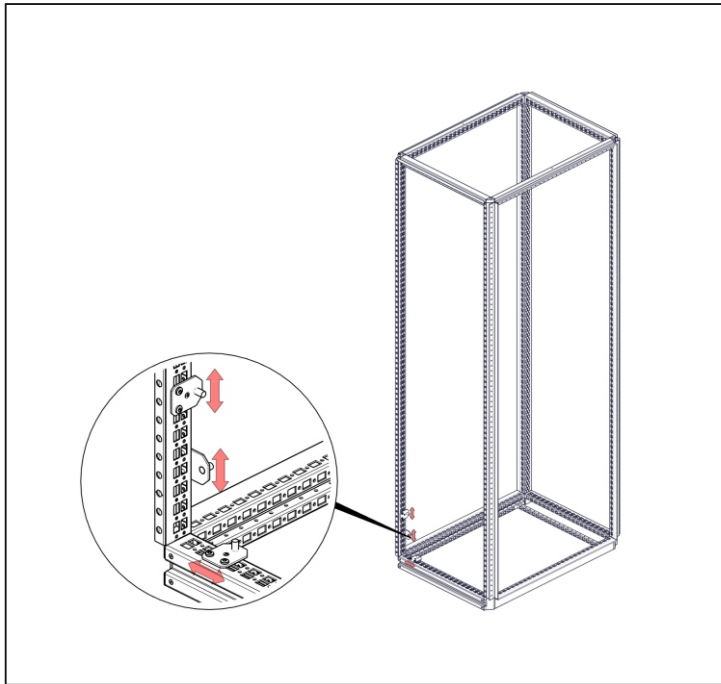






6x

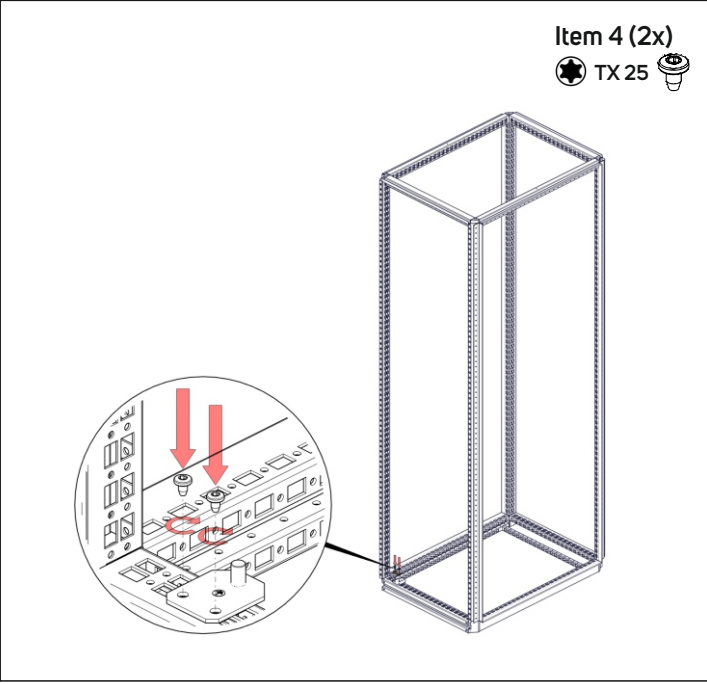
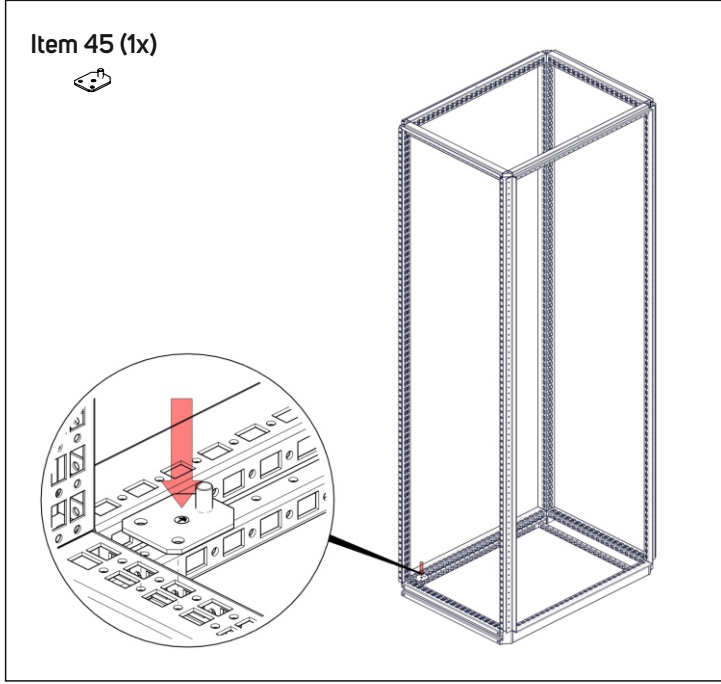
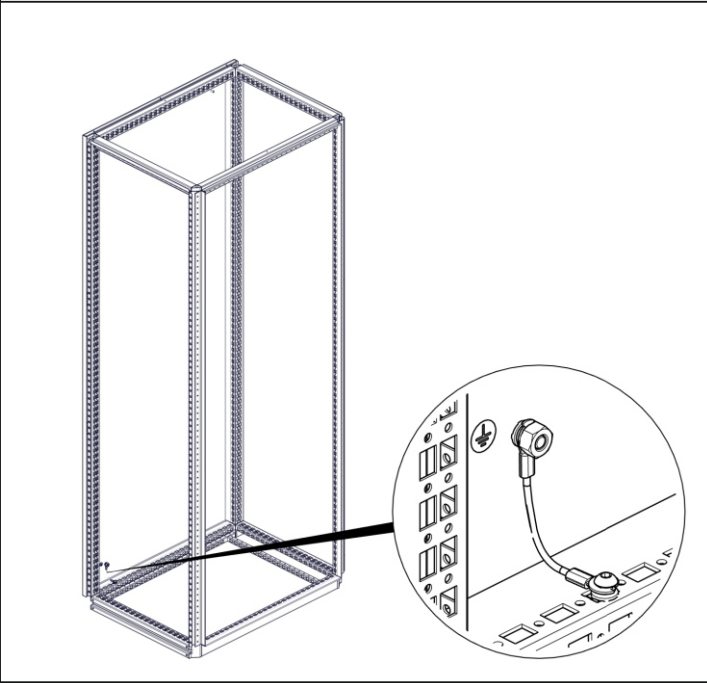
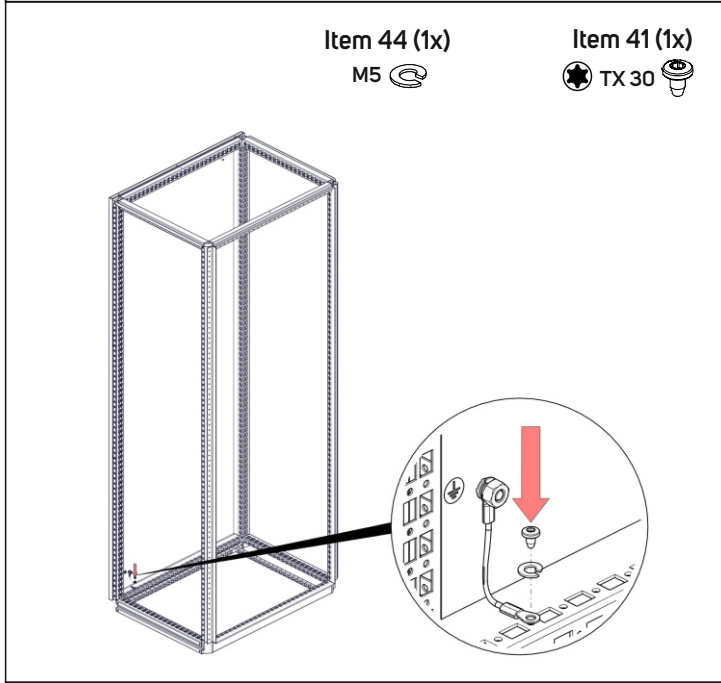
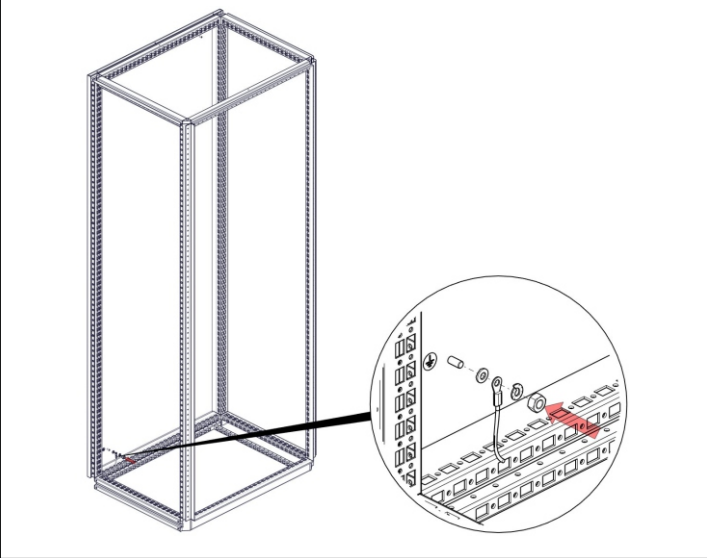


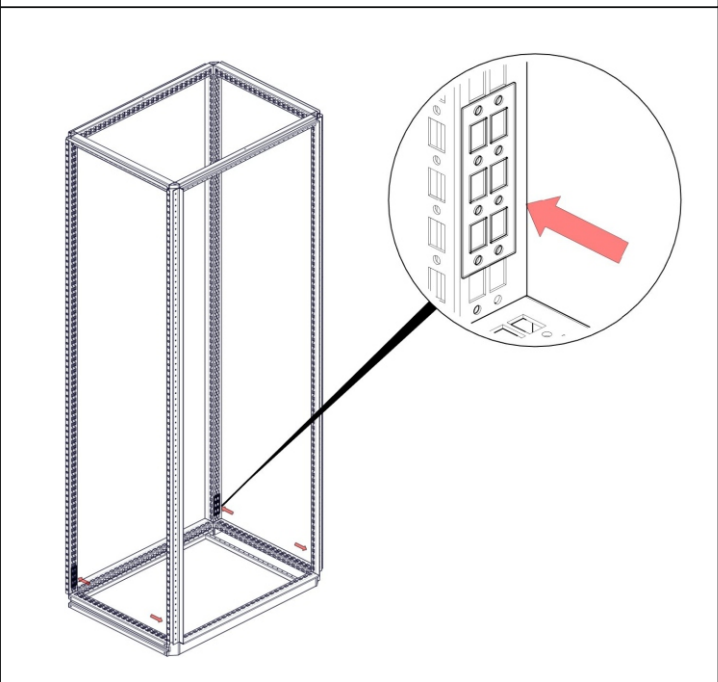
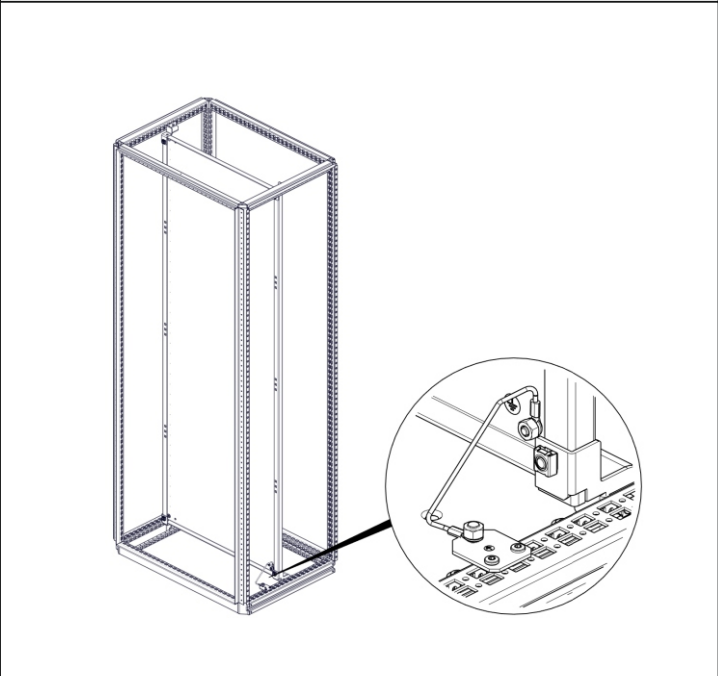
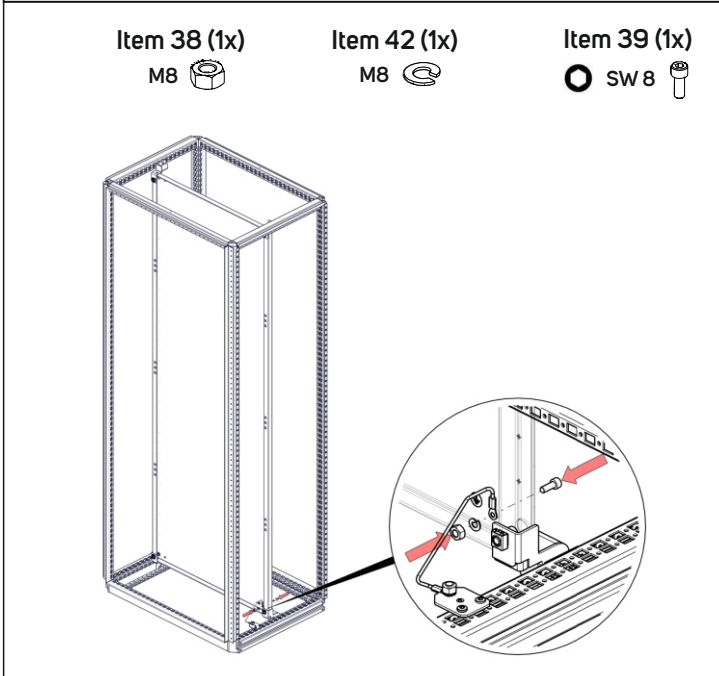
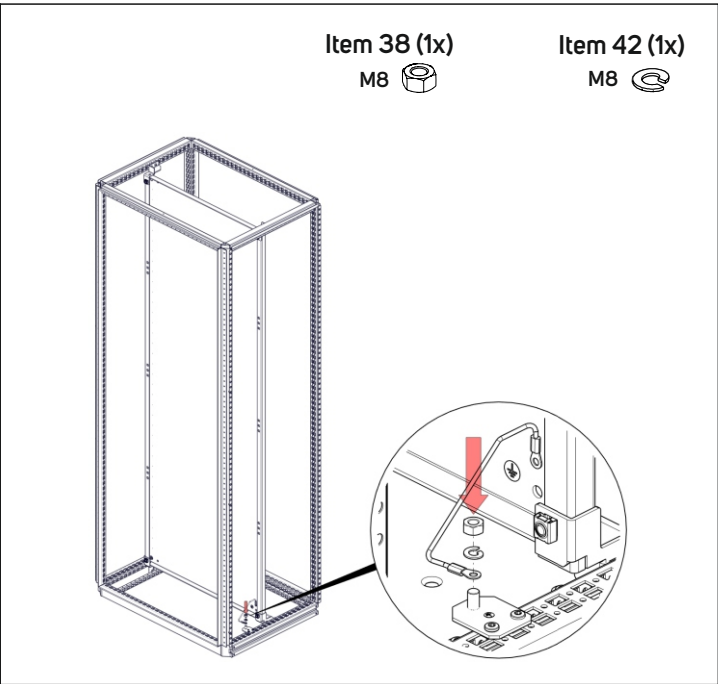
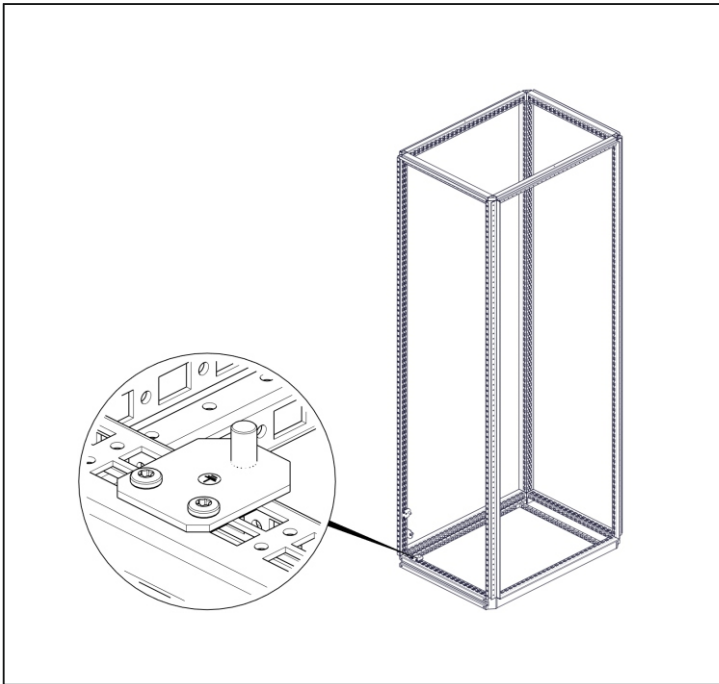
U



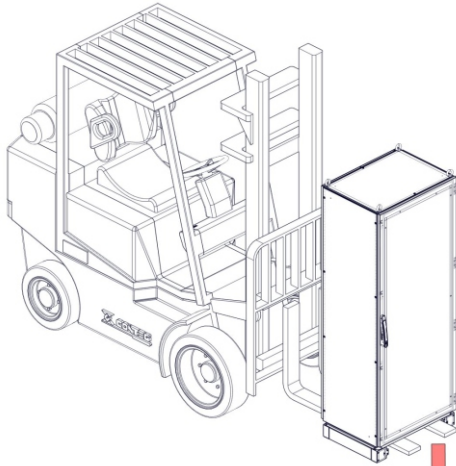


Item 42 (1x) M8  Item 38 (1x) M8  Item 40 (1x)  Item 43 (1x) M8 

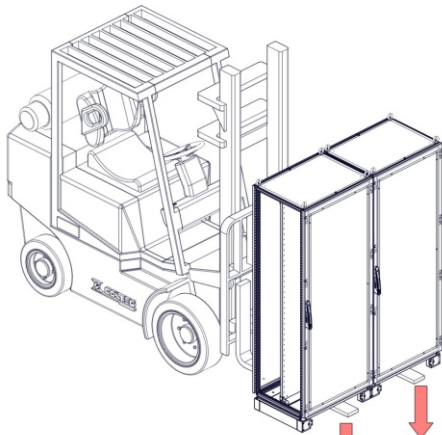
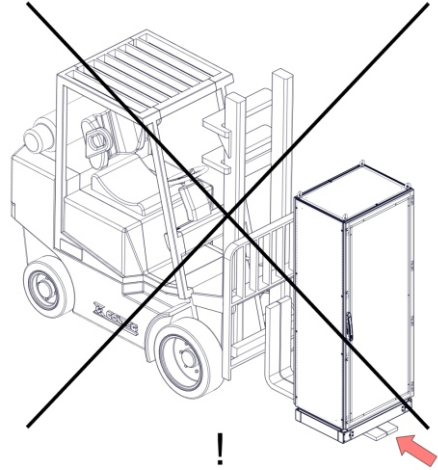




# V



$F_{max} = 15\,000\text{ N}$



$F_{max} = 7\,500\text{ N}$   
 $F_{max} = 7\,500\text{ N}$

$F_{max} = 15\,000\text{ N}$



$F_{max} = 4\,800\text{ N}$



$F_{max} = 7\,500\text{ N}$

**CONTEG, spol. s r.o.**

**Headquarters:**

Na Vitezne plani 1719/4

140 00 Prague 4

Czech Republic

Tel.: +420 261 219 182

[conteg@conteg.com](mailto:conteg@conteg.com)

[www.conteg.com](http://www.conteg.com)

**Production plant:**

K Silu 2179

393 01 Pelhrimov

Czech Republic

Tel.: +420 565 300 300